

Heating Technical Data

EHYHBH-AV32, EHYHBX-AV3,
EHYKOMB-AA2, EHYKOMB-AA3



- > EHYHBH05AAV32
- > EHYHBH08AAV32
- > EHYHBX08AAV3
- > EHYKOMB33AA2A
- > EHYKOMB33AA3

TABLE OF CONTENTS

EHYHBH-AV32, EHYHBX-AV3, EHYKOMB-AA2,

1	Features	2
	EHYHBH-AV32	2
	EHYHBX-AV3	3
	EHYKOMB-AA2	4
	EHYKOMB-AA3	5
2	Specifications	6
	Technical Specifications	6
	Electrical Specifications	6
	Technical Specifications	7
	Electrical Specifications	9
	Technical Specifications	10
	Electrical Specifications	12
3	Options	14
4	Combination table	27
5	Dimensional drawings	28
6	Centre of gravity	29
7	Piping diagrams	31
8	Wiring diagrams	32
	Wiring Diagrams - Single Phase	32
9	External connection diagrams	35
10	Installation	36
	Installation Method	36
11	Hydraulic performance	39
	Static Pressure Drop Unit	39

1 Features

1 - 1 EHYHBH-AV32

- Daikin Altherma hybrid heat pump combines air-to-water heat pump technology with gas condensing technology
- Heating only wall mounted indoor unit of air-to-water heat pump
- Depending on outdoor temperature, energy prices and internal heat load, Daikin Altherma hybrid heat pump always selects the most economical mode to operate
- Low investment cost: no need to replace the existing radiators (up to 80°C) and pipe work
- Provides sufficient heat in renovation applications as all heat loads are covered up to 32kW
- Easy and fast installation thanks to the compact dimensions and quick interconnections

1



1 Features

1 - 2 EHYHBX-AV3

- Daikin Altherma hybrid heat pump combines air-to-water heat pump technology with gas condensing technology
- Heating and cooling wall mounted indoor unit of air-to-water heat pump
- Depending on outdoor temperature, energy prices and internal heat load, Daikin Altherma hybrid heat pump always selects the most economical mode to operate
- Low investment cost: no need to replace the existing radiators (up to 80°C) and pipe work
- Provides sufficient heat in renovation applications as all heat loads are covered up to 32kW
- Easy and fast installation thanks to the compact dimensions and quick interconnections



1 Features

1 - 3 EHYKOMB-AA2

- Daikin Altherma hybrid heat pump combines air-to-water heat pump technology with gas condensing technology
- Wall mounted gas module
- Depending on outdoor temperature, energy prices and internal heat load, Daikin Altherma hybrid heat pump always selects the most economical mode to operate
- Low investment cost: no need to replace the existing radiators (up to 80°C) and pipe work
- Provides sufficient heat in renovation applications as all heat loads are covered up to 32kW
- Easy and fast installation thanks to the compact dimensions and quick interconnections

1



1 Features

1 - 4 EHYKOMB-AA3

- Daikin Altherma hybrid heat pump combines air-to-water heat pump technology with gas condensing technology
- Wall mounted gas module
- Depending on outdoor temperature, energy prices and internal heat load, Daikin Altherma hybrid heat pump always selects the most economical mode to operate
- Low investment cost: no need to replace the existing radiators (up to 80°C) and pipe work
- Provides sufficient heat in renovation applications as all heat loads are covered up to 32kW
- Easy and fast installation thanks to the compact dimensions and quick interconnections



2 Specifications

2

2-1 Technical Specifications				EHYHBH05AV32	EHYHBH08AV32	EHYHBX08AV3	
System	Connectable heat pump module			-			
Casing	Colour			White			
	Material			Precoated sheet metal			
Dimensions	Unit	Width	mm	450			
		Depth	mm	164			
	Packed unit	Height	mm	1,240			
		Width	mm	528			
		Depth	mm	262			
Packing	Material			Carton / EPS / PP (Straps)			
	Weight			kg			
Tank	Psbisol			W/K			
	Vbu (Solar, BUH)			l			
Pump	Type			DC motor			
	Nr of speeds			Inverter controlled			
	Nominal ESP unit	Heating	kPa	51.8 (1) / 55.7 (2)		19.2 (1) / 26.0 (2)	
		Cooling	kPa	-		44.8 (3) / 26.5 (4)	
	Power input			W			
Expansion vessel	Volume			l			
	Max. water pressure			bar			
	Pre pressure			bar			
Water circuit - Domestic hot water side	Piping material			-			
	Piping connections	Diameter	mm	-			
Water filter	Diameter perforations			mm			
	Material			Copper - brass - stainless steel			
Water circuit	Piping connections diameter			mm			
	Safety valve			bar			
	Manometer			No			
	Drain valve / fill valve			No			
	Shut off valve			No			
	Air purge valve			Yes			
	Heating water system	Water volume	Max.- Min.	l			
Control systems	Class of temperature control			-			
	Contribution to seasonal space heating efficiency			%			
2-2 Electrical Specifications				EHYHBH05AV32	EHYHBH08AV32	EHYHBX08AV3	
Power supply	Name/Phase/Frequency/Voltage/ Voltage range			Hz/V			
IP class	IP			-			
Electrical power consumption	Max.			W			
	Standby			W			

2 Specifications

Notes

(1) DB/WB 7°C/6°C - LWC 35°C (DT=5°C), boiler bypassed

(2) DB/WB 7°C/6°C - LWC 45°C (DT=5°C), boiler bypassed

(3) Tamb 35°C - LWE 7°C (DT=5°C), boiler bypassed

(4) Tamb 35°C - LWE 18°C (DT=5°C), boiler bypassed

With airpurg and bottom side water connections, unit height is 1075 mm

Boiler bypassed

For operation range of *HYHB* and *HYKOMB33AA, see operation range drawing

For manometer, refer to boiler specifications

C63 installations are not allowed in Belgium

For conversion to propane in Belgium: contact your dealer

See separate drawing for operation range

80/60

40/30 (30%)

G20

G25

G31

Setpoint 60°C

Setpoint 40°C

For central heating pressure drop: see ESP curve EHYHB*

For water circuit central heating, safety valve: refer to EHYHB*

2-3 Technical Specifications					EHYKOMB33AA2	
Central heating	Heat input Qn (net calorific value)	Nom	Min/Max	kW	7.6 (1) / 6.2 (2) / 7.6 (3)/27 (1) / 22.1 (2) / 27 (3)	
	Output Pn at 80/60°C	Min-Nom		kW	8.2 (1) / 6.7 (2) / 8.2 (3)-26.6 (1) / 21.8 (2) / 26.6 (3)	
	Efficiency	Net calorific value		%	98 (4) / 107 (5)	
	Efficiency full load heat input	Net calorific value		%	-	
		Gross calorific value		%	-	
	Operation range	Min		°C	15 (6)	
		Max		°C	80 (6)	
Water at 37/30					-	
Heat losses	Heat loss thermal downtime losses EN 15502-1				-	
Domestic hot water	Output	Min-Nom-Continuous output QD (DIN 4708)-Nom		kW	7.6-32.7--	
	Water flow	Rate	Nom	l/min	9.0 (7) / 15.0 (8)	
	Efficiency	Nom		%	105	
	Operation range	Min		°C	40	
		Max		°C	65	

2 Specifications

2

2-3 Technical Specifications				EHYKOMB33AA2	
Gas	Device category			C13 / C33 / C43 / C53 / C83 / C63 / C93	
	Supply pressure		Belgium	G20 (20 mbar) / G25 (25 mbar)	
			Denmark	-	
			Finland	-	
			France	G20 (20 mbar) / G25 (25 mbar) / G31 (28-50 mbar)	
			Germany	G20 (20 mbar) / G25 (25 mbar) / G31 (28-50 mbar)	
			Ireland	G20 (20 mbar) / G31 (28-50 mbar)	
			Italy	G20 (20 mbar) / G31 (28-50 mbar)	
			Luxembourg	-	
			Malta	G31 (28-50 mbar)	
			Netherlands	-	
			Norway	-	
			Spain	G20 (20 mbar) / G31 (28-50 mbar)	
			Sweden	-	
			Switzerland	G20 (20 mbar) / G31 (28-50 mbar)	
			United Kingdom	G20 (20 mbar) / G31 (28-50 mbar)	
	Category		Belgium	I12E(s)	
			Denmark	-	
			Finland	-	
			France	I12Es13P	
			Germany	I12ELL3P	
			Ireland	I12H3P	
			Italy	I12H3P	
			Luxembourg	-	
			Malta	I12H3P	
			Netherlands	-	
			Norway	-	
Spain			I12H3P		
Sweden			-		
Switzerland			I12H3P		
United Kingdom			I12H3P		
Connection	Diameter	mm	15		
Consumption (G20)	Min-Max	m³/h	0.78-3.39		
Consumption (G25)	Min-Max	m³/h	0.90-3.93		
Consumption (G30)	Min	m³/h	-		
	Max	m³/h	-		
Consumption (G31)	Min-Max	m³/h	0.30-1.29		
NOx class			5		
Supply air	Connection		mm	100	
	Concentric			Yes	
Flue gas	Connection		mm	60	
System	Connectable heat pump module			EHYHBH05AAV32 / EHYHBH08AAV32 / EHYHBX08AAV3 / EHYHBH05AAV3 / EHYHBH08AAV3	
Casing	Colour			White - RAL9010	
	Material			Precoated sheet metal	
Dimensions	Unit	Height	Casing	mm	710
		Width		mm	450
		Depth		mm	240
	Packed unit	Height		mm	820
		Width		mm	490
		Depth		mm	270
Weight	Unit	Empty	kg	36	
	Packed unit	Empty	kg	37	
Packing	Material			Carton / PP (Straps)	
	Weight			kg	1
Tank	Psbol		W/K	-	
	Vbu (Solar, BUH)		l	-	
Heat exchanger	Body material			Aluminium	

2 Specifications

2-3 Technical Specifications				EHYKOMB33AA2
Water circuit - Domestic hot water side	Piping connections	Diameter	mm	15
	Piping material			Cu
Space heating	General	η_s (Seasonal space heating efficiency)	%	-
		η_1 (Useful efficiency at 30% of rated heat output and low-temp regime)	%	-
		η_4 (Useful efficiency at rated heat output and high-temp regime)	%	-
	Other	η_{son} (seasonal space heating energy eff. in active mode)	%	-
Control systems	Class of temperature control			-
	Contribution to seasonal space heating efficiency		%	-
Water circuit - Central heating	Piping connections diameter		mm	22
	Piping material			Cu
	Pressure	Heating	Max. bar	3
	Air purge valve			Yes
	Drain valve / fill valve			No
	Manometer			Yes
	Shut off valve			No
Domestic hot water heating	General	η_{wh} (water heating efficiency)	%	-

2-4 Electrical Specifications				EHYKOMB33AA2
Power supply	Phase/Frequency/Voltage/Voltage range		V	1~/50/230
IP class	IP			IP44
Electrical power consumption	Max.		W	55
	Standby		W	2

Notes

- (1) G20
- (2) G25
- (3) G31
- (4) 80/60
- (5) 40/30 (30%)
- (6) See separate drawing for operation range
- (7) Setpoint 60°C
- (8) Setpoint 40°C

C63 installations are not allowed in Belgium

For conversion to propane in Belgium: contact your dealer

2 Specifications

2

2-5 Technical Specifications					EHYKOMB33AA3
Central heating	Heat input Qn (net calorific value)	Nom	Min/Max	kW	7.6 (1) / 6.2 (2) / 7.6 (3) / 27 (1) / 22.1 (2) / 27 (3)
	Output Pn at 80/60°C	Min-Nom		kW	8.2 (1) / 6.7 (2) / 8.2 (3) - 26.6 (1) / 21.8 (2) / 26.6 (3)
	Efficiency	Net calorific value		%	98 (4) / 107 (5)
	Efficiency full load heat input	Net calorific value		%	-
		Gross calorific value		%	-
	Operation range	Min		°C	15 (6)
		Max		°C	80 (6)
Water at 37/30					-
Heat losses	Heat loss thermal downtime losses EN 15502-1				-
Domestic hot water	Output	Min-Nom-Continuous output QD (DIN 4708)-Nom		kW	7.6-32.7--
	Water flow	Rate	Nom	l/min	9.0 (7) / 15.0 (8)
	Efficiency	Nom		%	105
	Operation range	Min		°C	40
		Max		°C	65

2 Specifications

2-5 Technical Specifications				EHYKOMB33AA3	
Gas	Device category			C13 / C33 / C43 / C53 / C83 / C63 / C93	
	Supply pressure	Bosnia and Herzegovina		G20 (20 mbar)	
		Bulgaria		G20 (20 mbar) / G31 (28-50 mbar)	
		Croatia		G20 (20 mbar) / G31 (28-50 mbar)	
		Cyprus		G20 (20 mbar) / G31 (28-50 mbar)	
		Denmark		-	
		Finland		-	
		Greece		G20 (20 mbar) / G31 (28-50 mbar)	
		Hungaria		G25 (25 mbar) / G31 (28-50 mbar)	
		Latvia		G20 (20 mbar) / G31 (28-50 mbar)	
		Lithuania		G20 (20 mbar) / G31 (28-50 mbar)	
		Luxembourg		-	
		Netherlands		-	
		Norway		-	
		Poland		G20 (20 mbar) / G31 (28-50 mbar)	
		Portugal		G20 (20 mbar) / G31 (28-50 mbar)	
		Slovakia		G20 (20 mbar) / G31 (28-50 mbar)	
		Slovenia		G20 (20 mbar) / G31 (28-50 mbar)	
		Sweden		-	
	Turkey		G20 (20 mbar) / G31 (28-50 mbar)		
	Category	Bosnia and Herzegovina		I12H3P	
		Bulgaria		I12H3P	
		Croatia		I12H3P	
		Cyprus		I12H3+	
		Denmark		-	
		Finland		-	
		Greece		I12H3P	
		Hungaria		I12H3P	
		Latvia		I12H3P	
		Lithuania		I12H3P	
		Luxembourg		-	
		Netherlands		-	
		Norway		-	
Poland		I12E3P			
Portugal		I12H3P			
Slovakia		I12H3P			
Slovenia		I12H3P			
Sweden		-			
Turkey		I12H3P			
Connection	Diameter	mm	15		
Consumption (G20)	Min-Max	m³/h	0.78-3.39		
Consumption (G25)	Min-Max	m³/h	0.90-3.93		
Consumption (G30)	Min	m³/h	-		
	Max	m³/h	-		
Consumption (G31)	Min-Max	m³/h	0.30-1.29		
NOx class			5		
Supply air	Connection	mm	100		
	Concentric		Yes		
Flue gas	Connection	mm	60		
System	Connectable heat pump module			EHYHBH05AAV32 / EHYHBH08AAV32 / EHYHBX08AAV3	
Casing	Colour			White - RAL9010	
	Material			Precoated sheet metal	
Dimensions	Unit	Height	Casing	mm	820
		Width		mm	490
		Depth		mm	270
	Packed unit	Height		mm	710
		Width		mm	450
		Depth		mm	240

2 Specifications

2

2-5 Technical Specifications				EHYKOMB33AA3	
Weight	Unit	Empty	kg	36	
	Packed unit	Empty	kg	37	
Packing	Material			Carton / PP (Straps)	
	Weight		kg	1	
Tank	Psbisol		W/K	-	
	Vbu (Solar, BUH)		l	-	
Heat exchanger	Body material			Aluminium	
Water circuit - Domestic hot water side	Piping connections	Diameter	mm	15	
	Piping material			Cu	
Space heating	General	η_s (Seasonal space heating efficiency)	%	-	
		η_1 (Useful efficiency at 30% of rated heat output and low-temp regime)	%	-	
		η_4 (Useful efficiency at rated heat output and high-temp regime)	%	-	
	Other	η_{son} (seasonal space heating energy eff. in active mode)	%	-	
Control systems	Class of temperature control			-	
	Contribution to seasonal space heating efficiency		%	-	
Water circuit - Central heating	Piping connections diameter		mm	22	
	Piping material			Cu	
	Pressure	Heating	Max. bar	3	
	Air purge valve			Yes	
	Drain valve / fill valve			No	
	Manometer			Yes	
	Shut off valve			No	
Domestic hot water heating	General	η_{wh} (water heating efficiency)	%	-	

2-6 Electrical Specifications				EHYKOMB33AA3	
Power supply	Phase/Frequency/Voltage/Voltage range		V	1~/50/230	
IP class	IP			IP44	
Electrical power consumption	Max.		W	55	
	Standby		W	2	

2 Specifications

Notes

- (1) G20
- (2) G25
- (3) G31
- (4) 80/60
- (5) 40/30 (30%)
- (6) See separate drawing for operation range
- (7) Setpoint 60°C
- (8) Setpoint 40°C

C63 installations are not allowed in Belgium

For conversion to propane in Belgium: contact your dealer

For central heating pressure drop: see ESP curve EHYHB*

For water circuit central heating, safety valve: refer to EHYHB*

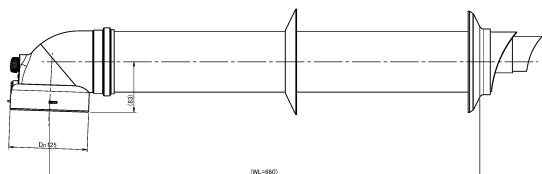
3 Options

3 - 1 Options

3

EKFGP1299

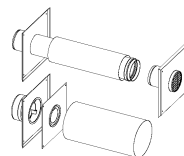
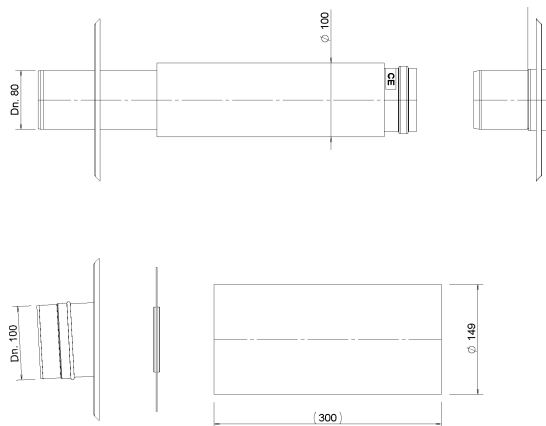
Kit horizontal low profile PP/GLV 60/100 UK only



08 1197 01

EKFGV1101

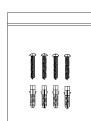
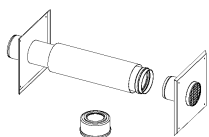
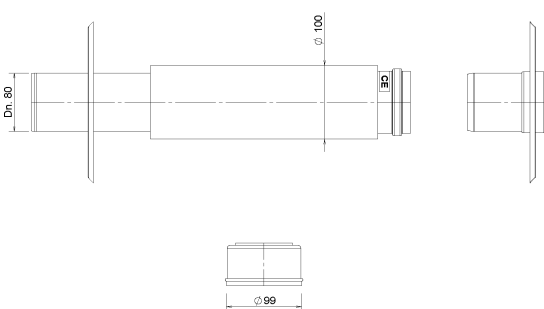
Chimney connection set 60/100 Air intake Dn.80 C83



13 03797 01

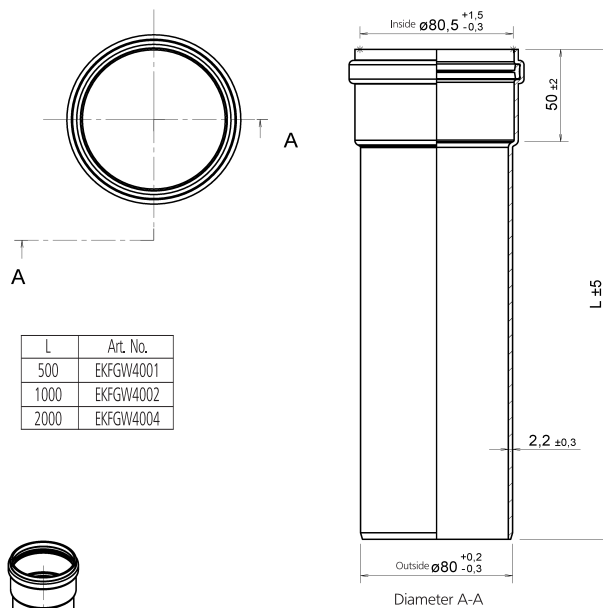
EKFGV1102

Chimney connection set 60/100 Air intake Dn.80 C53

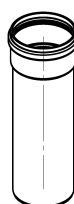


14 00748 00a

EKFGW4001 Extension PP 80x500 EKFGW4002 Extension PP 80x1000 EKFGW4004 Extension PP 80x2000



L	Art. No.
500	EKFGW4001
1000	EKFGW4002
2000	EKFGW4004



01 0216 2

3 Options

3 - 1 Options

EKFGW4085
Elbow PP 80 90°

98 0747 03

EKFGW4086
Elbow PP 80 45°

98 0744 03

EKFGP1284
PMK Elbow 60 90 UK only

RAL-9011

Note: Packed 1 piece

08 3675 0

EKFGP1285
PMK Elbow 60 45° (2 pcs.) UK only

RAL-9011

Note: Packed 2 pieces

08 3676 0

3 Options

3 - 1 Options

3

EKFGP1286
PMK Extension 60 L=1000 incl. Bracket UK only

08 3677 0

EKFGP1292
Wall terminal kit PP/GLV 60/100

13 02358 00a

EKFGP1293
Wall terminal kit low profile PP/GLV 60/100

13 02379 00a

EKFGP1294
Plume management kit 60 UK only

13 02642 00a

3 Options

3 - 1 Options

EKFGP1295
Flue detector 60 UK only

Correct installation marking (2x)

Detail A
Scale 3:1

Outside $\varnothing 57_{+0.3}$

47 ± 2

(77)

(134)

15°

35

13 02643 00a

EKFGP1296
Weather slate flat alu 60/100 0°-15°

Outside $\varnothing 116_{\pm 0.2}$

33.4 ± 0.2

R60.4

$\varnothing 218_{\pm 0.5}$

1

105 ± 0.5

R106.7

$\varnothing 167_{\pm 0.5}$

1 ± 0.5

20.3 ± 2

$\varnothing 420_{\pm 0.5}$

13 02468 00a

EKFGP1297
Weather slate flat alu 80/125 0°-15°

Outside $\varnothing 137.1_{\pm 0.2}$

33.4 ± 0.2

R60.4

$\varnothing 218_{\pm 0.5}$

1

105 ± 0.5

R106.7

$\varnothing 167_{\pm 0.5}$

1 ± 0.5

20.3 ± 2

$\varnothing 420_{\pm 0.5}$

99 0286 1

EKFGP1856
Flex kit PP Dn.60-80

Dn.80

(490)

Dn.80

11 3480 01

3 Options

3 - 1 Options

3

EKFGP2520
Flex kit PP Dn.80

06 1309 07

EKFGP2977
Wall terminal kit low profile PP/GLV 60/100

RAL-7021

12 0165 0

EKFGP2978
Wall terminal kit PP/GLV 60/100

RAL-7021

08 1192 0

EKFGP4481
Wall bracket Dn.100

RAL-9016

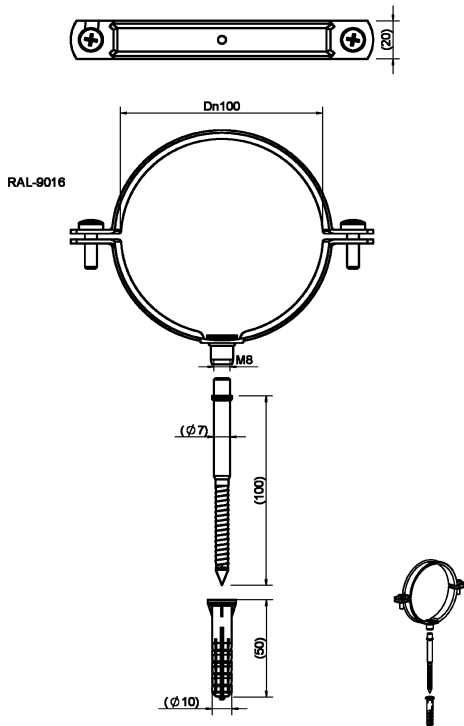
08 1133 1

3 Options

3 - 1 Options

EKFGP4631

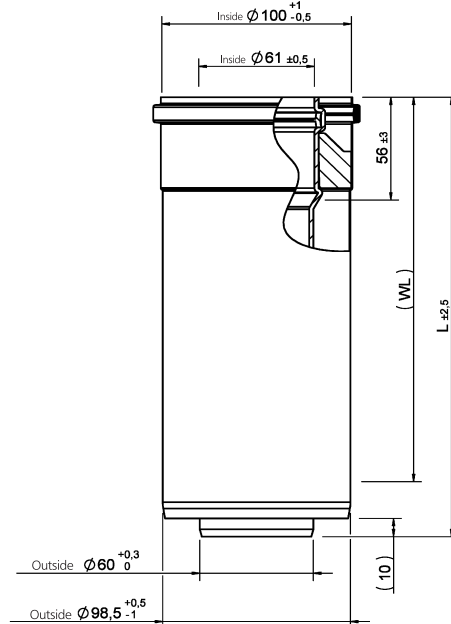
Wall bracket Dn,100



08 1444 0

EKFGP4651 Extensions PP/GLV 60/100 x 500mm

EKFGP4652 Extensions PP/GLV 60/100 x 1000mm

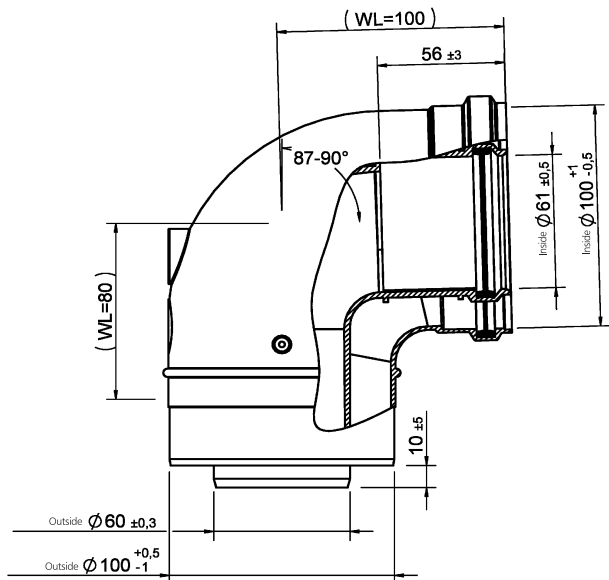


Ln	L	WL
250	240	200
500	490	450
1000	990	950
1500	1490	145
2000	1990	1950

07 2801 1

EKFGP4660

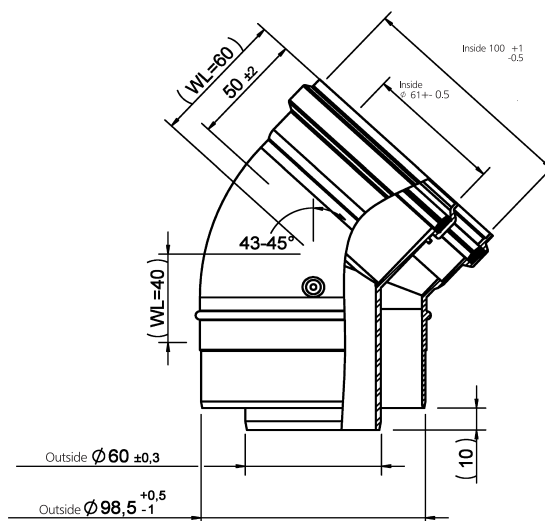
Elbow PP/GLV 60/100 90°



07 2293 1

EKFGP4661

Elbow PP/GLV 60/100 45°



07 2294 2

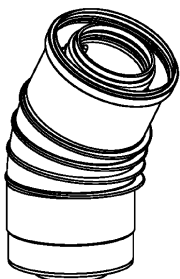
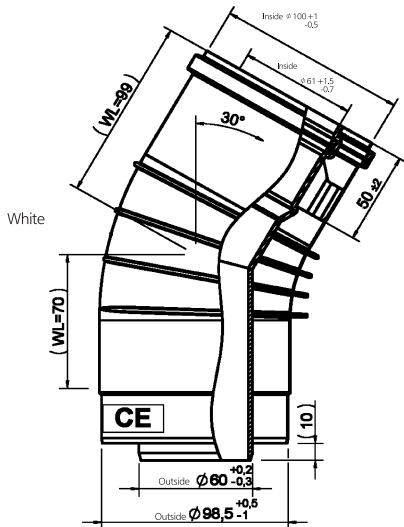
3 Options

3 - 1 Options

3

EKFGP4664

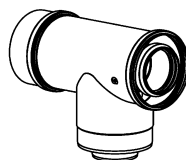
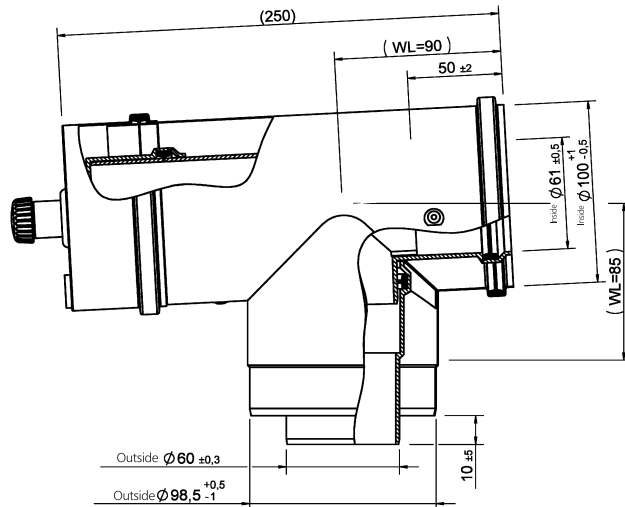
Elbow PP/GLV 60/100 30°



09 1422 0

EKFGP4667

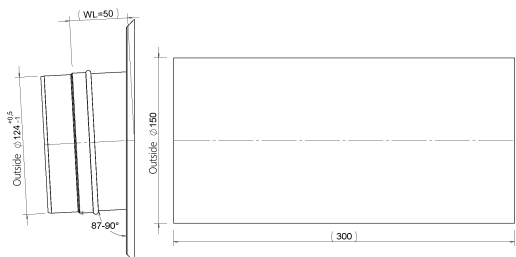
Meas. Tee with inspection panel PP/GLV 60/100



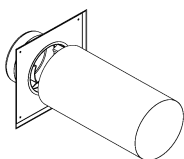
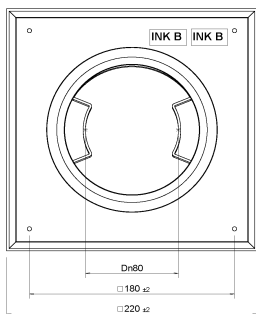
09 1384 1

EKFGP4678

Chimney connection 60/100



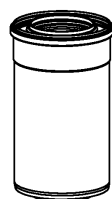
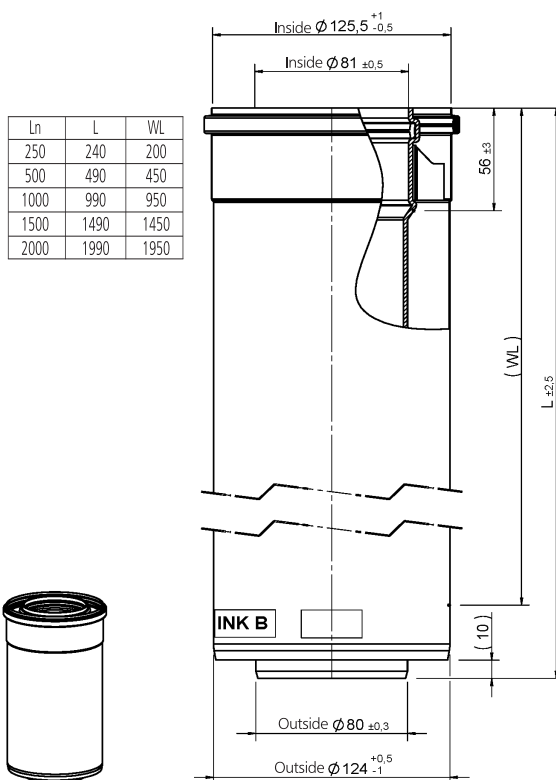
RAL-9016



09 1740 0

EKFGP4801 Extensions PP/GLV 80/125 x 500mm

EKFGP4802 Extensions PP/GLV 80/125 x 1000mm



09 1584 1

3 Options

3 - 1 Options

EKFGP4810
Elbow PP/ALU 80/125 90°

09 0839 1

EKFGP4811
Elbow PP/ALU 80/125 45°

11 0262 0

EKFGP4814
Elbow PP/GLV 80/125 30°

09 0188 1

EKFGP4828
Chimney connection 80/125

09 1773 0

3 Options

3 - 1 Options

3

EKFGP5461
Extension PP 60x500

Ln	L
250	240
500	490
1000	990
1500	1490
2000	1990

Inside $\varnothing 61 \pm 0.5$

Outside $\varnothing 60 \pm 0.3$

$L \pm 2.5$

04 1590 2

EKFGP5497
Chimney top PP 100 incl. flue pipe

Dn. 100

$\varnothing 200$

64 ± 0.3

250 ± 0.5

□ 385 ± 0.5

11 1702 0

EKFGP6215
Tee flex 130 boiler connectionset 1

Dn $\varnothing 130$ Flexible

Dn $\varnothing 60$

Dn $\varnothing 130$ Flexible

91

09 1937 0

EKFGP6316
Adapter Flex-Fixed PP 100

Inside $\varnothing D1 \pm 0.5$

50 ± 0.2

120 ± 0.5

55 ± 0.2

Inside $\varnothing D2 \begin{smallmatrix} +1 \\ -0.5 \end{smallmatrix}$

Dnom.	Inside $\varnothing D1$	Inside $\varnothing D2$
80	81	99
100	101	119

01 0438 2

3 Options

3 - 1 Options

EKFGP6324 Connector flex-flex PP 80
EKFGP6325 Connector flex-flex PP 100

Dnom.	Inside $\varnothing D1$
80	99
100	119

01 0440 1

EKFGP6333
 Spacer PP 80-100

01 0442 00

EKFGP6337 Support bracket top inox Dn. 100
EKFGP6353 Support bracket top inox Dn. 130

Dn	D1
60	65
80	99
100	119
130	150

01 0436 3

EKFGP6340/44/41/42
 Extension Flex PP 80: L=10m / L=15m / L=25m / L=50m
EKFGP6346/49/47
 Extension Flex PP 100: L=10m / L=15m / L=25m

Dnom.	$\varnothing D1$	$\varnothing D2$
80	81	98

01 0437 01

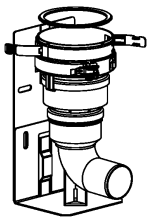
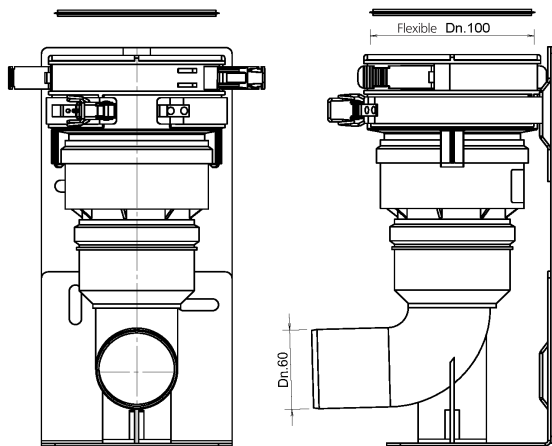
3 Options

3 - 1 Options

3

EKFGP6354

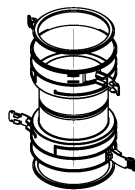
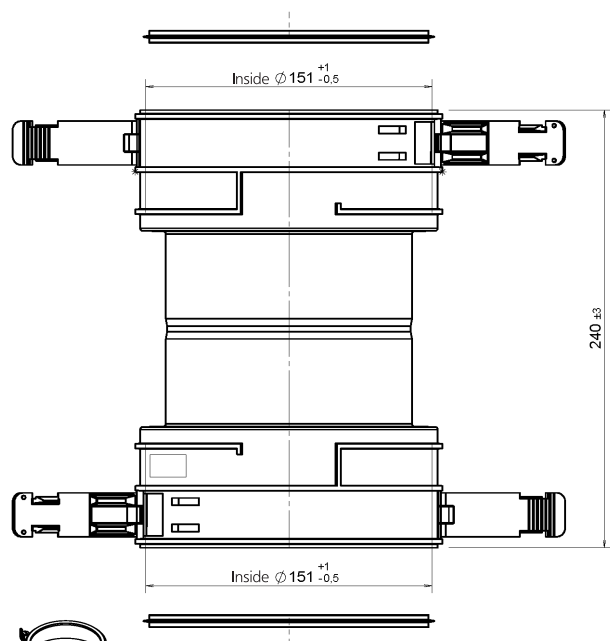
Flexible 100-60 + support elbow



10 1625 00

EKFGP6366

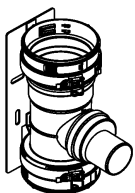
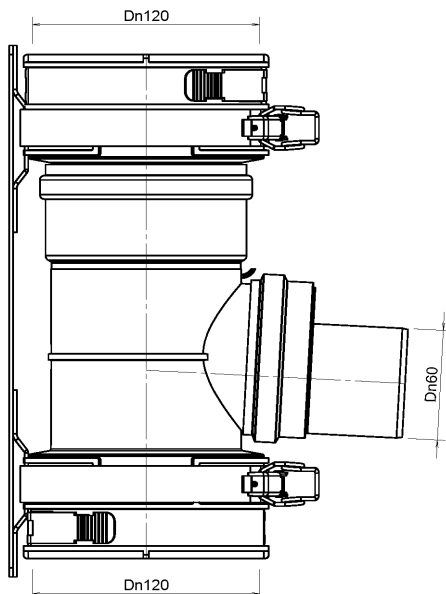
Connector flex-flex PP 130



09 1931 0

EKFGP6368

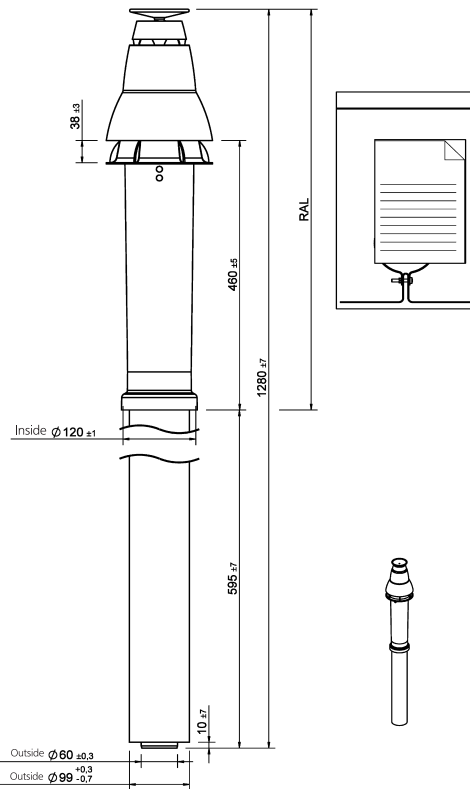
Tee flex 100 boiler connectionset 1



08 0405 0

EKFGP6837

Roof terminal PP/GLV 60/100 AR460



06 0673 1

3 Options

3 - 1 Options

EKFGP6864
Roof terminal PP/GLV 80/125 AR300 Ral-9011

Dimensions: 57 ±0.5, 300 ±0.5, 1354 ±1.7, 765 ±1.7, 10 ±0.7, RAL, Inside $\phi 140 \pm 0.5$, Outside $\phi 80 \pm 0.3$, Outside $\phi 125 \pm 0.7$

06 0832 2

EKFGP6940 Weather slate flat alu 60/100
EKFGW5333 Weather slate flat alu 80/125

Dimensions: Outside $\phi D1 \pm 2$, 50 ±0.5, H1 ±0.10, Outside $\phi D2 \pm 10$

Dnom.	D1	D2	H1
100	98	350	150
110	108		
120	118		
130	128	390	
140	138		
160	153		
170	168	430	
180	173		
210	208	520	175
230	228		
320	318		
370	368	640	

94 0536 10

EKFGP7909 Weather Slate Steep PF 80/125 25°-45° Ral-9011
EKFGP7910 Weather Slate Steep PF 60/100 25°-45°

Dimensions: Outside $\phi D \pm 1$, 2 ±0.3, H1 ±0.5, R110, 12.5°, 178, 173, R110, PP, 285, 500 ±0.5

Dnom.	D	H	H1
100	99	160	110
110	109	160	110
120	119	160	110
130	129	160	110
140	139	125	82
150	149	160	110

94 1282 7

EKFGS0250
Extension Flex PP 130 L = 30m

Dimensions: L=30M, Inside $\phi 131 \begin{smallmatrix} +1 \\ 0 \end{smallmatrix}$, Outside $\phi 149 \pm 1$

09 1928

3 Options

3 - 1 Options

3

EKFGS0252
Adapter Flex-Fixed PP 130

09 1929

EKFGS0257
Flexible 130-60 + support elbow

09 1938

EKFGS0518/19/23/24/25
Weather Slate Steep Pb/GLV 60/100: 18°-22°/23°-27°/43°-47°/48°-52°/53°-57°

EKFGT6300/01/05/06/07
Weather Slate Steep Pb/GLV 80/125: 18°-22°/23°-27°/43°-47°/48°-52°/53°-57°

Size $400 + D \times 400 + 168 / \cos \text{Roof pitch} \pm 50$

00 0792 1

EKFGW6359
Wall terminal kit PP/GLV 80/125

10 0658 0

4 Combination table

4 - 1 Combination Table

EHYHBH(X)-AV3(2) EHYKOMB-AA()

Outdoor combination table for "HYHB"AAV3"

		*VLDQSCAV3	*VLDQBCAV3
*HYHBH05AAV3	Heating only	o	
EHYHBH05AV32	Heating only	o	
*HYHBH08AAV3	Heating only		o
EHYHBH08AV32	Heating only		o
*HYHBH08AAV3	Reversible type		o

*HYKOMB33AA
*HYKOMB33AA2
*HYKOMB33AA3

*HYHBH05AAV3	Heating only		
EHYHBH05AV32	Heating only		
*HYHBH08AAV3	Heating only		
EHYHBH08AV32	Heating only		
*HYHBH08AAV3	Reversible type		

Kit availability for outdoor units

		*VLDQSCAV3	*VLDQBCAV3
EKDPO08CA	Drain pan kit	o	o
EKDPH008CA	Heater tape kit	o	o
EKF1008CA	U-beams for outdoor unit	o	o

Kit availability for "HYHB"AAV3"

Reference	Description	*HYHBH05AAV3	EHYHB05AV32	*HYHBH08AAV3	EHYHBH08AAV32	*HYHBH08AAV3
EKRSCA1 (1)	Remote sensor for outdoor	o	o	o	o	o
KRCS01-1 (1)	Remote sensor for indoor	o	o	o	o	o
*KULICBL1	User interface language group 1	o	o	o	o	o
*KULICBL2	User interface language group 2	o	o	o	o	o
EKSP1HBA (2)	Digital I/O PCB	o	o	o	o	o
KRPSAHTA (3)	Demand PCB	o	o	o	o	o
*KXV3A	Mixed room thermostat	o	o	o	o	o
*KXTR1	Wireless room thermostat	o	o	o	o	o
*KXTE1S (4)	External temperature sensor option kit	o	o	o	o	o
RJFWV15AVEB (5)	Heat pump connector	o	o	o	o	o
RJFWV15DVEB (5)	Heat pump connector	o	o	o	o	o
*VXVHP (5)	Valve kit - Heat pump connector	o	o	o	o	o
EKPCAB1 (6)	PC cable kit	o	o	o	o	o
EKPCAB2 (6)	PC cable kit	o	o	o	o	o
EKIDPH	Drain pan kit	o	o	o	o	o
EKWPS00 (7)	Domestic hot water tank	o	o	o	o	o
EKWPS00 (7)	Domestic hot water tank	o	o	o	o	o
ECHATMET	Energy measuring kit	o	o	o	o	o
EKV1A	Valve kit	o	o	o	o	o
EKV2A	Valve kit	o	o	o	o	o
EKV3A	Valve kit	o	o	o	o	o
EKYMNT1A	Mounting jig	o	o	o	o	o
EKYMNT2A	Mounting jig - Only for BE, FR	o	o	o	o	o
EKYMNT3A	Mounting jig - Only for UK	o	o	o	o	o
EKTR2 (8)	Thermostat for reconstruction without tank	o	o	o	o	o
EKHYPART (8)	Third-party tank connection kit for thermostat pocket	o	o	o	o	o
EKHYPART2 (8)	Third-party tank connection kit for thermostat contact	o	o	o	o	o

- (1) Only 1 remote sensor can be connected: indoor OR outdoor sensor.
- (2) PCB that provides additional output connections:
 - (a) Control external heat source (bivalent operation).
 - (b) Output remote ON/OFF signal space heating/cooling
 - (c) Remote alarm output
 - (d) Solar pump connection
- (3) PCB to receive up to 4 digital inputs for power limitation
- (4) Can only be used in combination with the wireless room thermostat.
- (5) The valve kit is mandatory if a heat pump connector is installed on a reversible model (not mandatory for heating only models).
- (6) Data cable for connection with PC.
- (7) To connect, use EKEPH3H.
- (8) **Remark: Other combinations than mentioned in this combination table are prohibited.**
From software version Micron3.421 onwards, use the Updater tool to upgrade the Hydro PCB.

Kit availability for "HYKOMB33AA"

Reference	Description	*HYKOMB33AA	*HYKOMB33AA2	*HYKOMB33AA3
EKHV075787	Propane set (G30, G31)		o	
EKHV090717	Concentric connection set R0/125		o	
EKHV093467	Boiler cover		o	
EKHV090707	Eccentric connection set		o	

3D082251E

EHYKOMB-AA2

Outdoor combination table for "HYHB"AAV3"

		*VLDQSCAV3	*VLDQBCAV3
*HYHBH05AAV3	Heating only	o	
EHYHBH05AV32	Heating only	o	
*HYHBH08AAV3	Heating only		o
EHYHBH08AV32	Heating only		o
*HYHBH08AAV3	Reversible type		o

*HYKOMB33AA
*HYKOMB33AA2
*HYKOMB33AA3

*HYHBH05AAV3	Heating only		
EHYHBH05AV32	Heating only		
*HYHBH08AAV3	Heating only		
EHYHBH08AV32	Heating only		
*HYHBH08AAV3	Reversible type		

Kit availability for outdoor units

		*VLDQSCAV3	*VLDQBCAV3
EKDPO08CA	Drain pan kit	o	o
EKDPH008CA	Heater tape kit	o	o
EKF1008CA	U-beams for outdoor unit	o	o

Kit availability for "HYHB"AAV3"

Reference	Description	*HYHBH05AAV3	EHYHB05AV32	*HYHBH08AAV3	EHYHBH08AAV32	*HYHBH08AAV3
EKRSCA1 (1)	Remote sensor for outdoor	o	o	o	o	o
KRCS01-1 (1)	Remote sensor for indoor	o	o	o	o	o
*KULICBL1	User interface language group 1	o	o	o	o	o
*KULICBL2	User interface language group 2	o	o	o	o	o
EKSP1HBA (2)	Digital I/O PCB	o	o	o	o	o
KRPSAHTA (3)	Demand PCB	o	o	o	o	o
*KXV3A	Mixed room thermostat	o	o	o	o	o
*KXTR1	Wireless room thermostat	o	o	o	o	o
*KXTE1S (4)	External temperature sensor option kit	o	o	o	o	o
RJFWV15AVEB (5)	Heat pump connector	o	o	o	o	o
RJFWV15DVEB (5)	Heat pump connector	o	o	o	o	o
*VXVHP (5)	Valve kit - Heat pump connector	o	o	o	o	o
EKPCAB1 (6)	PC cable kit	o	o	o	o	o
EKPCAB2 (6)	PC cable kit	o	o	o	o	o
EKIDPH	Drain pan kit	o	o	o	o	o
EKWPS00 (7)	Domestic hot water tank	o	o	o	o	o
EKWPS00 (7)	Domestic hot water tank	o	o	o	o	o
ECHATMET	Energy measuring kit	o	o	o	o	o
EKV1A	Valve kit	o	o	o	o	o
EKV2A	Valve kit	o	o	o	o	o
EKV3A	Valve kit	o	o	o	o	o
EKYMNT1A	Mounting jig	o	o	o	o	o
EKYMNT2A	Mounting jig - Only for BE, FR	o	o	o	o	o
EKYMNT3A	Mounting jig - Only for UK	o	o	o	o	o
EKTR2 (8)	Thermostat for reconstruction without tank	o	o	o	o	o
EKHYPART (8)	Third-party tank connection kit for thermostat pocket	o	o	o	o	o
EKHYPART2 (8)	Third-party tank connection kit for thermostat contact	o	o	o	o	o

- (1) Only 1 remote sensor can be connected: indoor OR outdoor sensor.
- (2) PCB that provides additional output connections:
 - (a) Control external heat source (bivalent operation).
 - (b) Output remote ON/OFF signal space heating/cooling
 - (c) Remote alarm output
 - (d) Solar pump connection
- (3) PCB to receive up to 4 digital inputs for power limitation
- (4) Can only be used in combination with the wireless room thermostat.
- (5) The valve kit is mandatory if a heat pump connector is installed on a reversible model (not mandatory for heating only models).
- (6) Data cable for connection with PC.
- (7) To connect, use EKEPH3H.
- (8) **Remark: Other combinations than mentioned in this combination table are prohibited.**
From software version Micron3.421 onwards, use the Updater tool to upgrade the Hydro PCB.

Kit availability for "HYKOMB33AA"

Reference	Description	*HYKOMB33AA	*HYKOMB33AA2	*HYKOMB33AA3
EKHV075787	Propane set (G30, G31)		o	
EKHV090717	Concentric connection set R0/125		o	
EKHV093467	Boiler cover		o	
EKHV090707	Eccentric connection set		o	

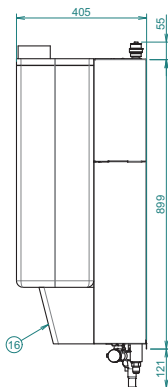
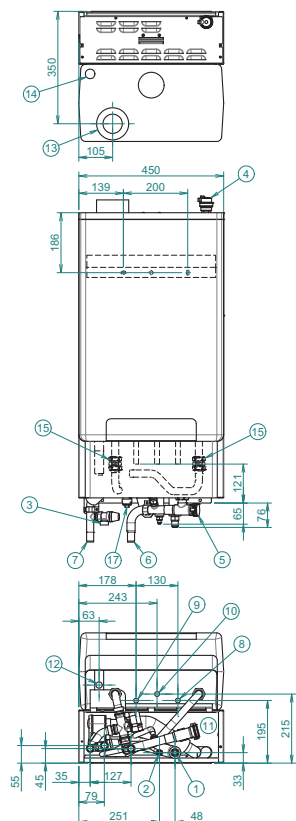
3D082251F

5 Dimensional drawings

5 - 1 Dimensional Drawings

5

EHYHBH-AV32
EHYKOMB-AA*

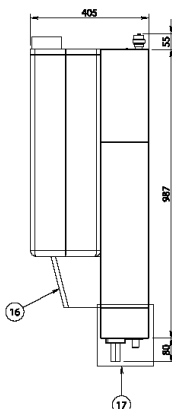
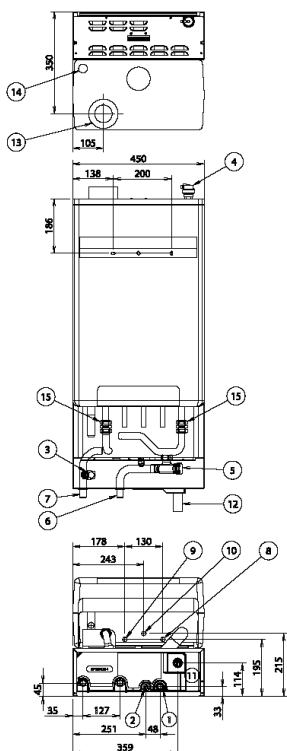


- 1 Gas pipe connection - ϕ 15.9 flare
- 2 Liquid pipe connection - ϕ 6.35 flare
- 3 Safety valve
- 4 Air purge
- 5 Water filter
- 6 Water in connection - (ϕ 22mm)
- 7 Water out connection - (ϕ 22mm)
- 8 Domestic hot water: cold water in - (ϕ 15mm)
- 9 Domestic hot water: hot water out - (ϕ 15mm)
- 10 Gas pipe connection - (1/2")
- 11 Control wiring intake -
Power supply wiring intake -
- 12 Drain outlet - (ϕ 25mm)
- 13 Flue pipe / air supply - (ϕ 60/100mm)
- 14 Air purge
- 15 Copper clamp connection - (22mm)
- 16 Boiler cover
- 17 Screw connection - (G1/4")
Only for: EHYHBH*V32

The typical field installation has to be done according to the applicable legislation.

3D082233A

EHYHBX-AV3
EHYKOMB-AA*



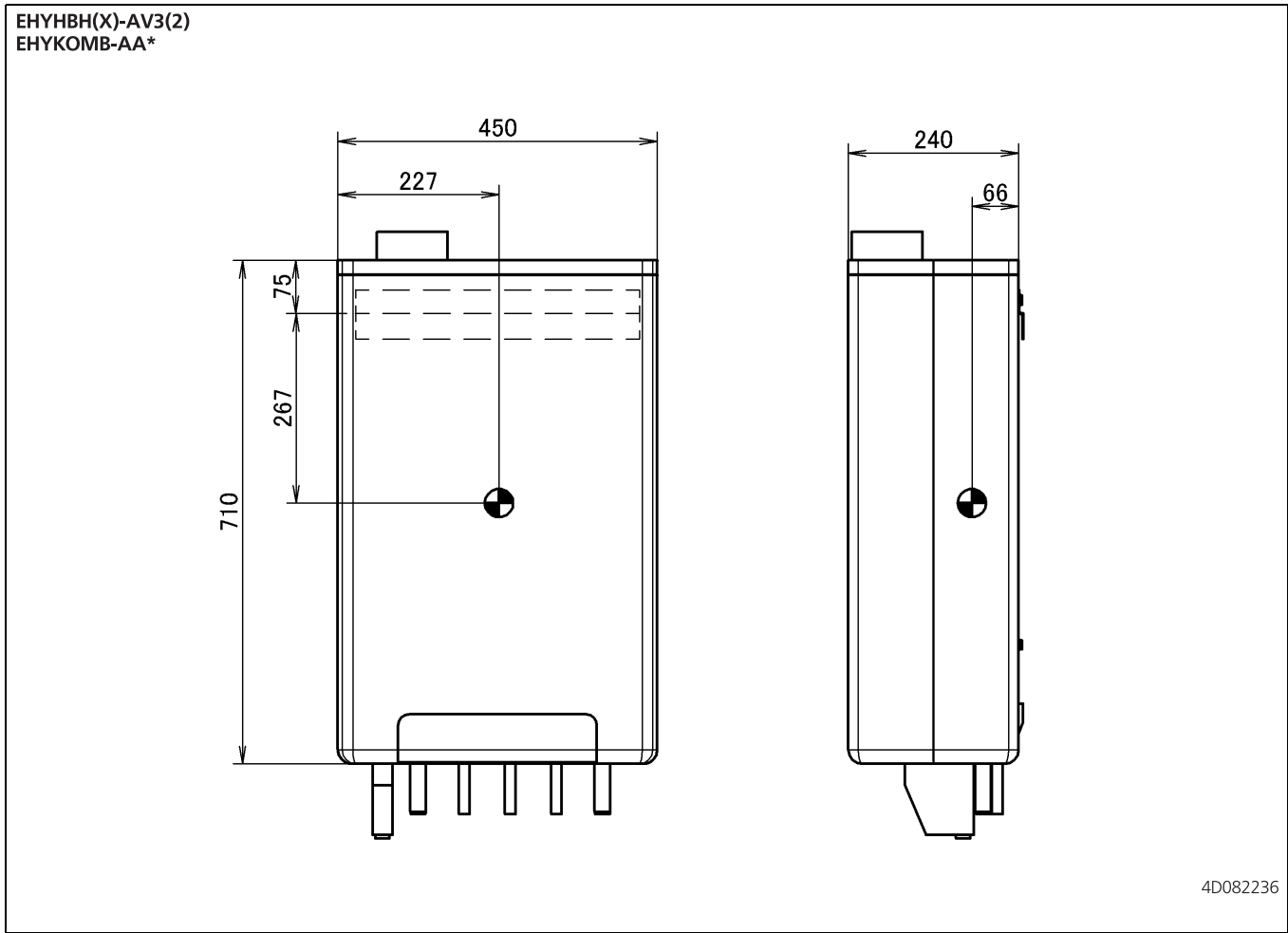
- 1. Gas pipe connection ϕ 15.9 flare
- 2. Liquid pipe connection ϕ 6.35 flare
- 3. Safety valve (pressure)
- 4. Air purge (Automatic)
- 5. Water filter
- 6. Water in connection (ϕ 22mm)
- 7. Water out connection (ϕ 22mm)
- 8. DHW in connection (ϕ 15mm)
- 9. DHW out connection (ϕ 15mm)
- 10. Gas connection (1/2")
- 11. Wiring intake area heat pump module
- 12. Water drain
- 13. Flue pipe / Air supply (ϕ 60/100mm concentric)
- 14. Air purge boiler (manual)
- 15. Copper clamp connection 22mm (accessory)
- 16. Boiler cover (option)
- 17. Drain pan kit (Option)

Note:
Typical field installation is according to local and national regulations. For examples, refer to installer reference guide.

3D085927

6 Centre of gravity

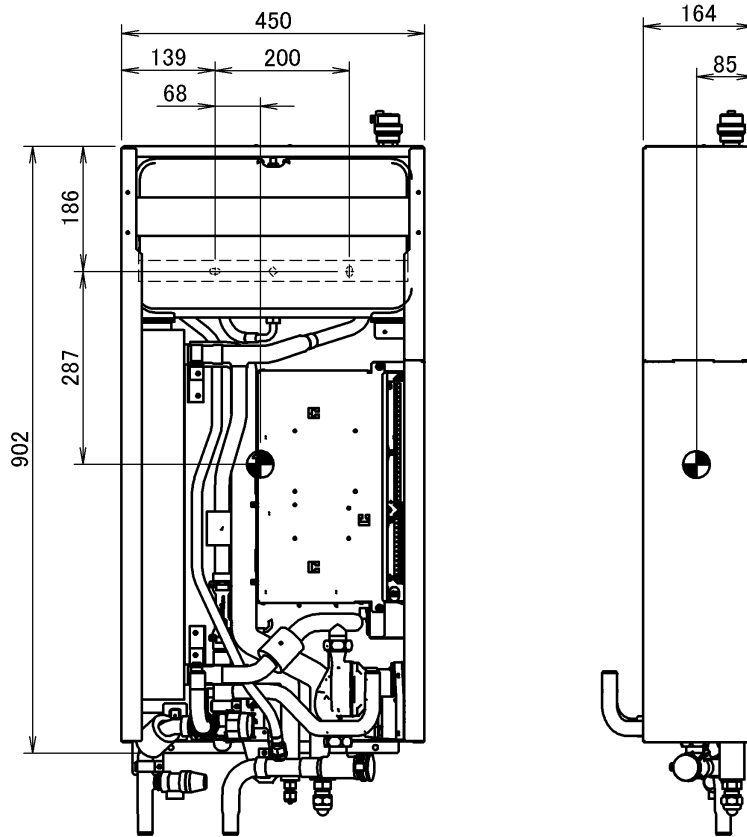
6 - 1 Centre of Gravity



6 Centre of gravity

6 - 1 Centre of Gravity

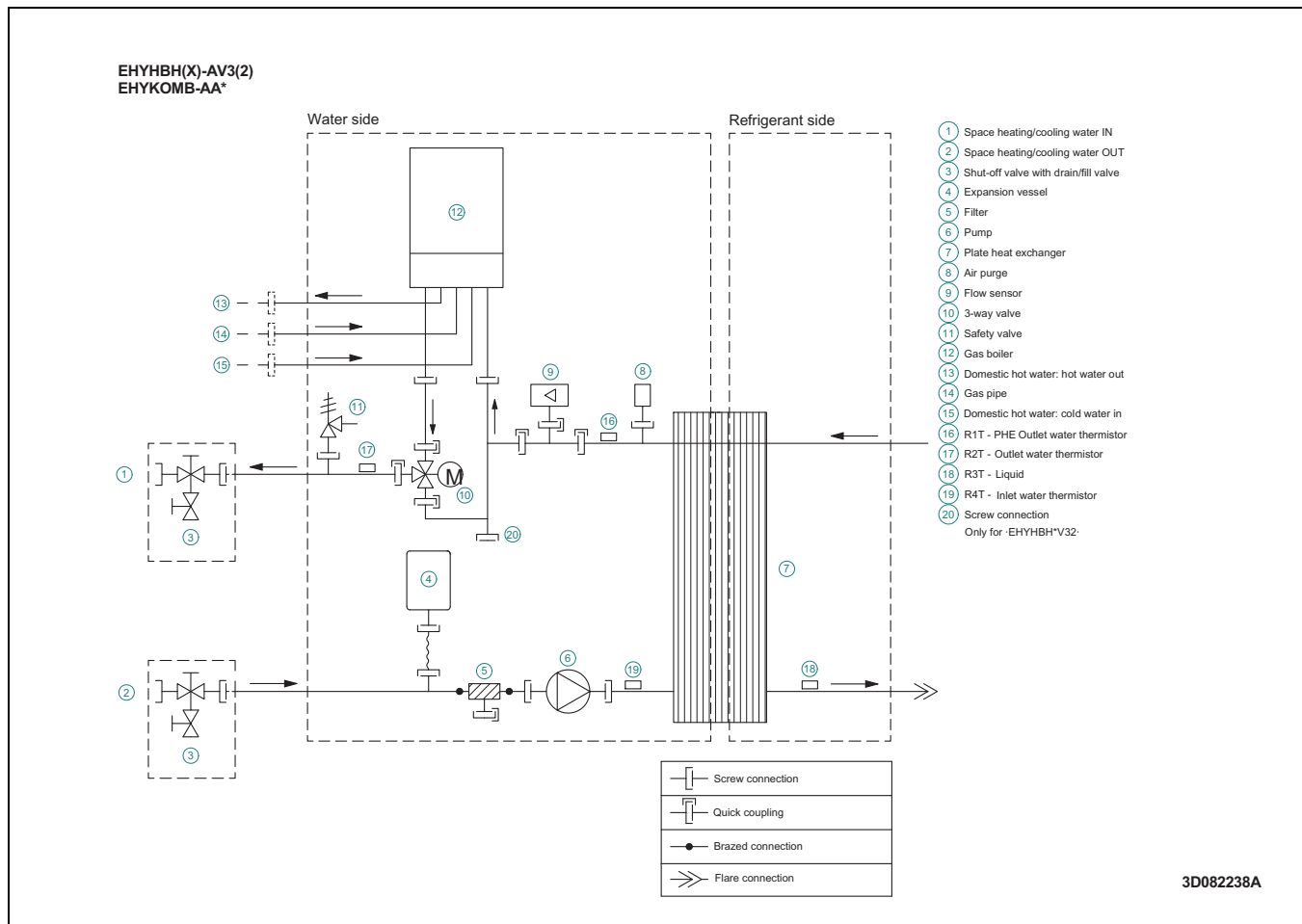
EHYHBH(X)-AV3(2)



4D082235

7 Piping diagrams

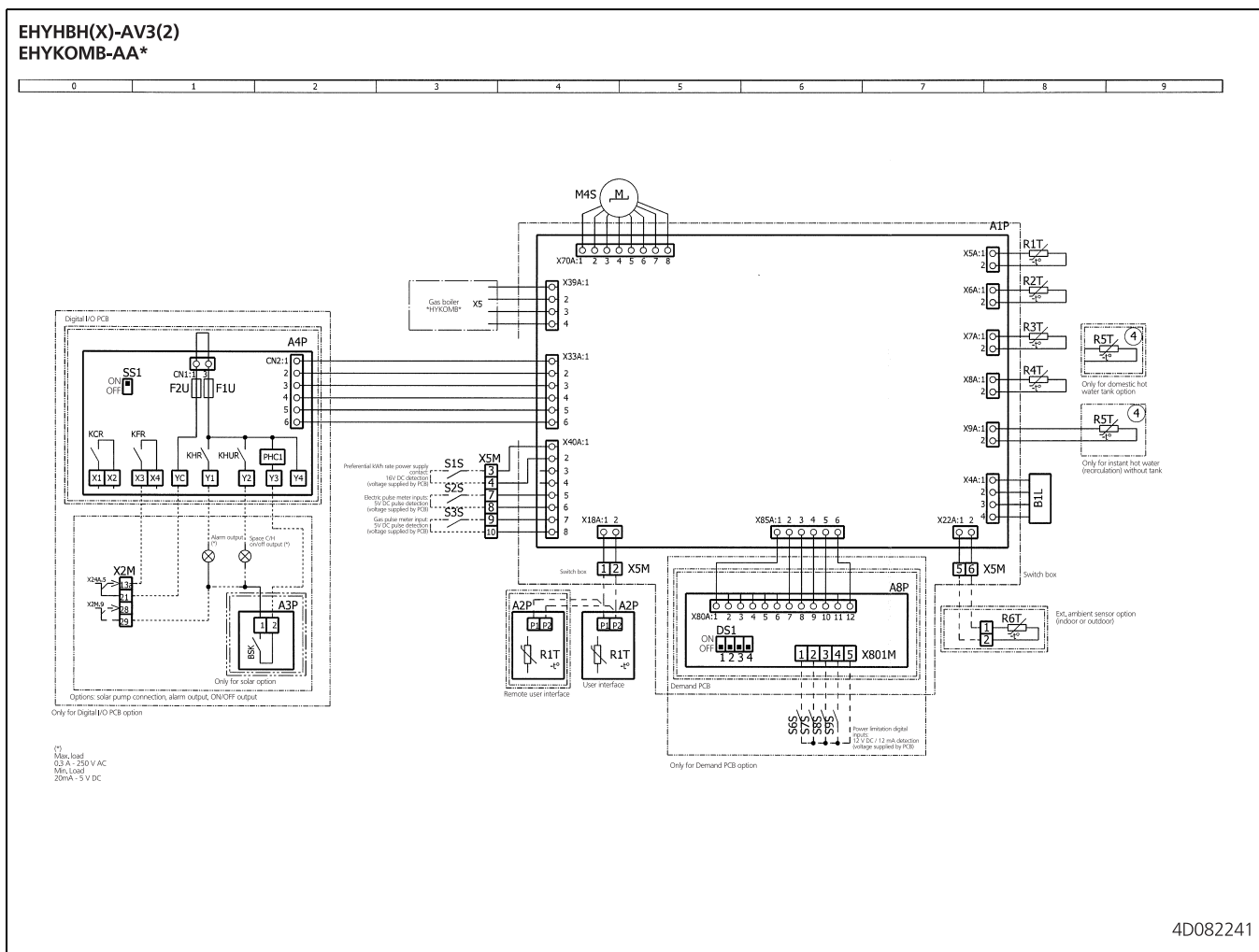
7 - 1 Piping Diagrams



8 Wiring diagrams

8 - 1 Wiring Diagrams - Single Phase

8



8 Wiring diagrams

8 - 1 Wiring Diagrams - Single Phase

EHYHBH(X)-AV3(2)

NOTES TO GO THROUGH BEFORE STARTING THE UNIT

- X1M : Indoor / outdoor comm.
- X2M : Field wiring terminal for AC
- X5M : Field wiring terminal for DC
- : Earth wiring
- - - - - : Field supply
- **/12.2 : Connection ** continues on page 12 column 2
- ① : Several wiring possibilities



: Option



: Wiring depending on model



: Not mounted in switchbox



: PCB

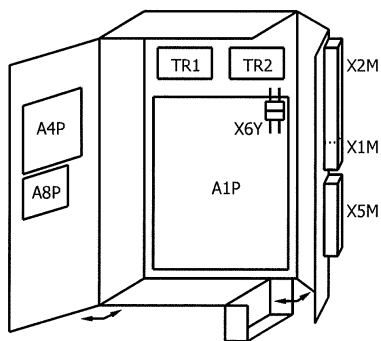
User installed options:

- Domestic hot water tank
- Domestic hot water tank with solar connection
- Remote user interface
- Ext. indoor thermistor
- Ext. outdoor thermistor
- Digital I/O PCB
- Demand PCB
- Instant DHW recirculation
- Main LWT:
 - ON/OFF thermostat (Wired)
 - ON/OFF thermostat (Wireless)
 - Ext. Thermistor
 - Heat pump convector
- Add LWT:
 - ON/OFF thermostat (Wired)
 - ON/OFF thermostat (Wireless)
 - Ext. Thermistor
 - Heat pump convector

LEGEND

- * : Optional
- # : Field supply
- A1P : Main PCB (hydro)
- A2P : User interface PCB
- A3P * : ON/OFF thermostat
- A3P * : Heat pump convector
- A3P * : Solar pumpstation PCB
- A4P * : Digital I/O PCB
- A4P * : Receiver PCB (wireless ON/OFF thermostat, PC=power circuit)
- A8P * : Demand PCB
- B1L : Flow sensor
- DS1 (A8P) * : Dipswitch
- F1U,F2U * : Fuse 5A 250V for digital I/O PCB (A4P)
- FU1 : Fuse T 6.3A 250 V for main PCB (A1P)
- K*R : Relay on PCB
- M1P : main water supply pump
- M2P # : Domestic hot water pump
- M2S # : 2 way valve for cooling mode
- M3S : 3 way valve for floorheating/domestic hot water tank
- M4S : Bypass valve gasboiler
- PHC1 * : Optocoupler input circuit
- PS : Switching power supply
- Q*DI # : Earth leakage circuit breaker
- R1T (A1P) : Outlet water heat exchanger thermistor
- R1T (A2P) : Ambient sensor user interface
- R1T (A3P) * : Ambient sensor ON/OFF thermostat
- R2T (A1P) : outlet gasboiler thermistor
- R2T (A4P) * : External sensor (floor or ambient)
- R3T (A1P) : Refrigerant liquid side thermistor
- R4T (A1P) : Inlet water thermistor
- R5T (A1P) * : Domestic hot water thermistor
- R6T (A1P) * : External indoor or outdoor ambient thermistor
- R1H (A3P) * : Humidity sensor
- S1S # : Preferential kWh rate power supply contact
- S2S # : Electrical meter pulse input
- S3S # : Gas meter pulse input
- S6S-S9S # : Digital power limitation inputs
- SS1 (A4P) * : Selector switch
- TR1, TR2 : Power supply transformer
- X*M : Terminal strip
- X*Y : Connector

POSITION IN SWITCHBOX



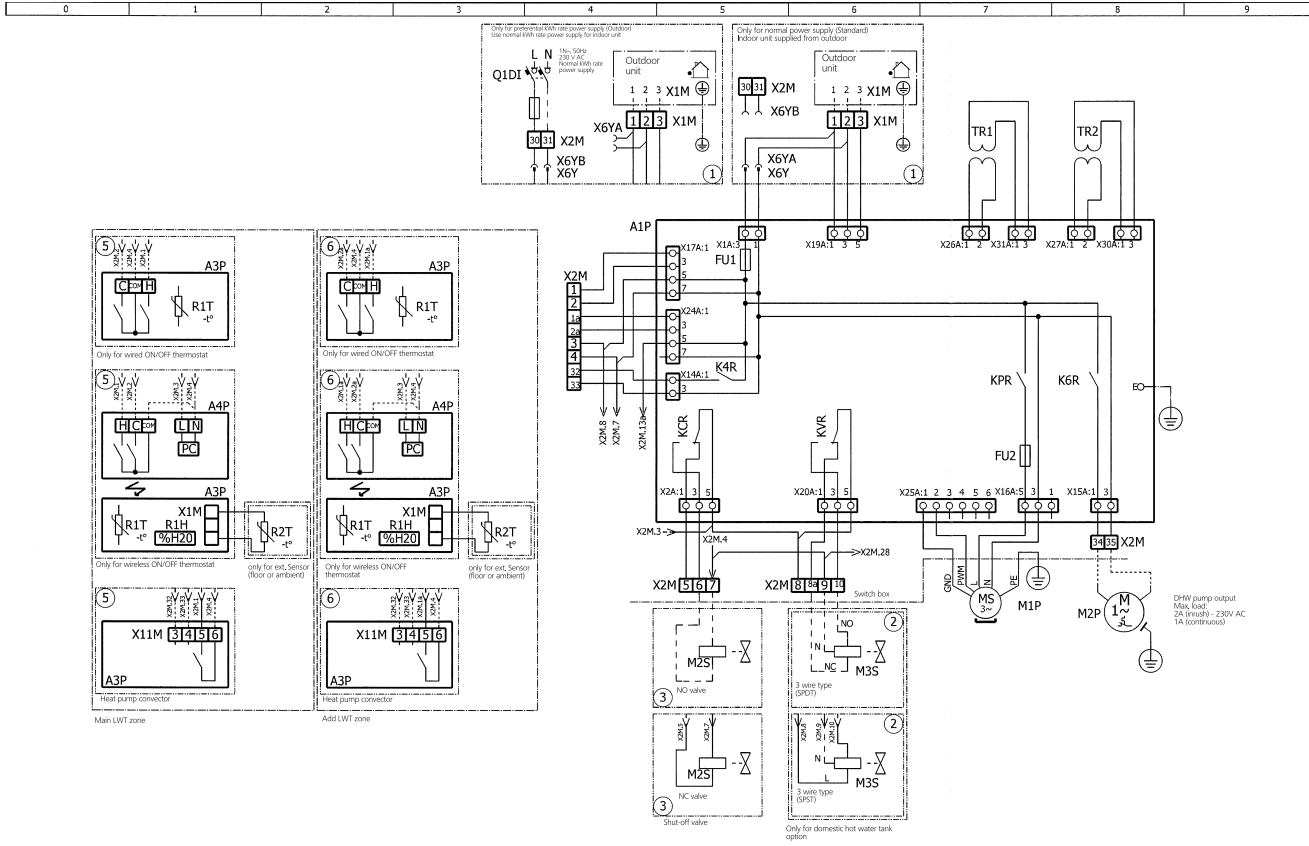
4D082241

8 Wiring diagrams

8 - 1 Wiring Diagrams - Single Phase

8

EHYHBH(X)-AV3(2)



4D082241

9 External connection diagrams

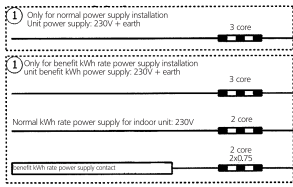
9 - 1 External Connection Diagrams

EHYHBH(X)-AV3(2) EHYKOMB-AA*

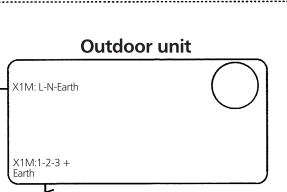
Electrical connection diagram Daikin Altherma Hybrid

For more details please check unit wiring diagram

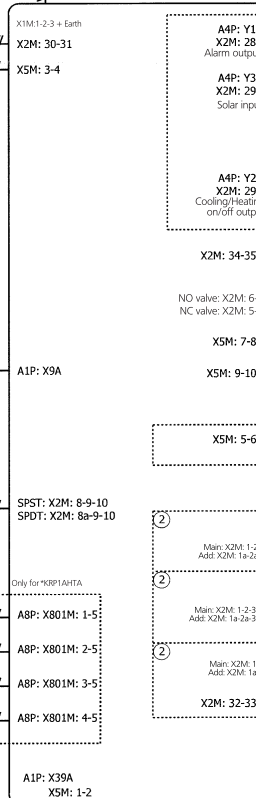
Power supply



Standard parts



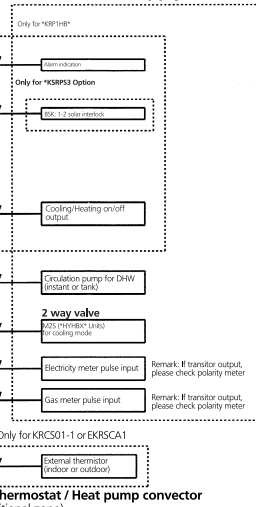
Indoor unit



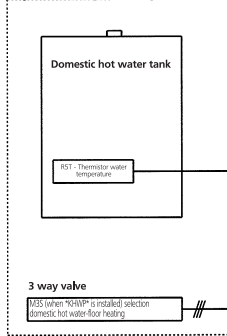
Notes:

- 1 In case of signal cable keep minimum distance to power cables > 5cm
- 2 Field supply:

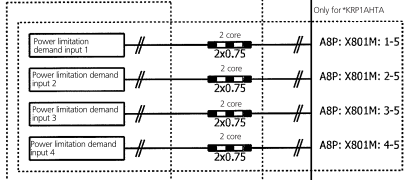
Field supply



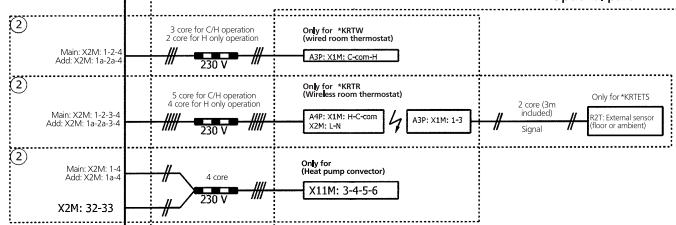
Optional parts (*KHWP*)



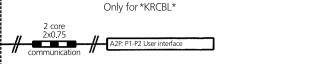
Field supply



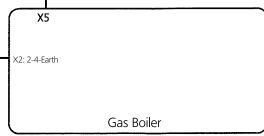
External room thermostat / Heat pump convactor



Optional part



Unit power supply: 230V + earth



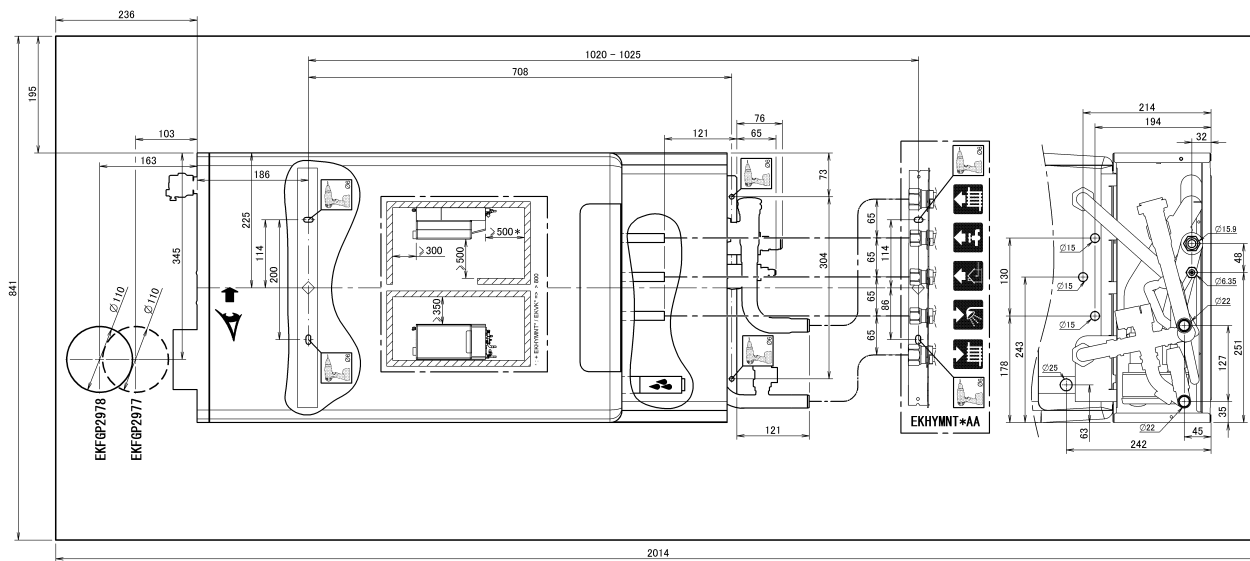
3D082242

10 Installation

10 - 1 Installation Method

10

EHYHBH(X)-AV3(2)



Notes in case of printing:

- 1 Overall printing tolerance: +/- 2mm. Printing position tolerance: +/- 7mm
- 2 Use .pdf-file for reproduction of this drilling pattern drawing.
- 3 Centerlines and dimensions must be printed, dimensions outside the drawing not.
- 4 Fold the drawing into A4 format, drawing number in right side bottom corner.

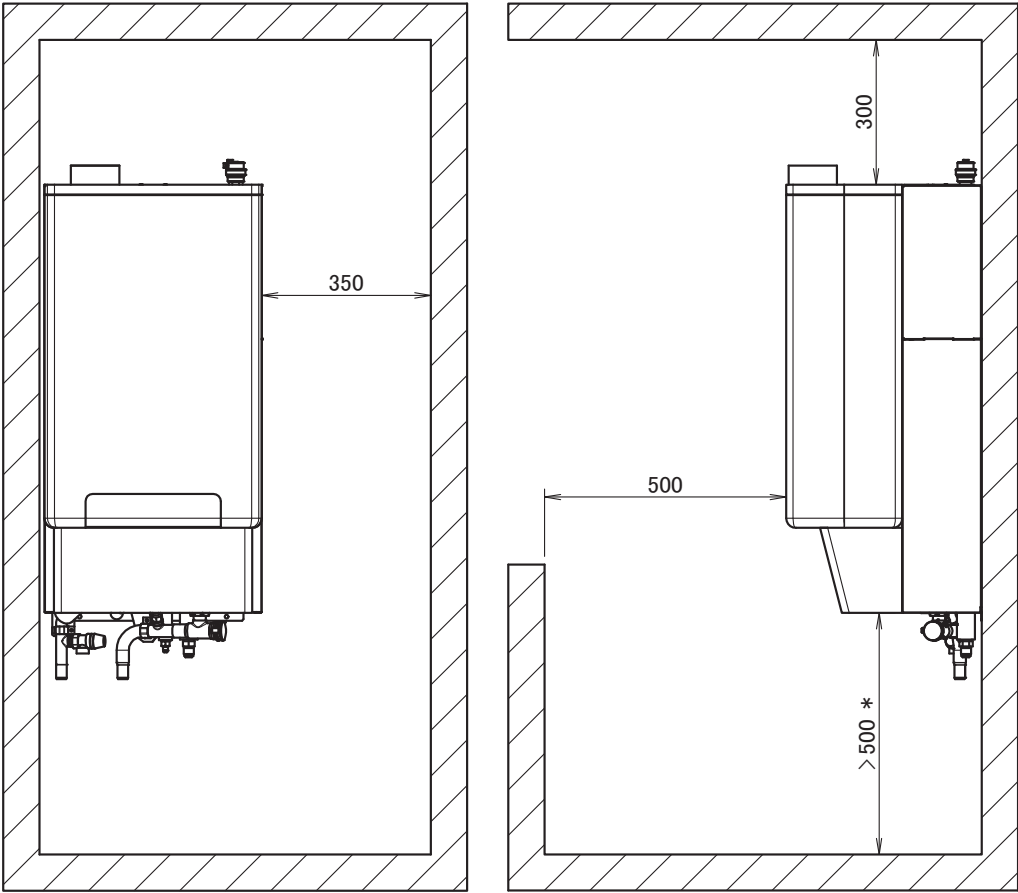
2D091207

10 Installation

10 - 1 Installation Method

EHYHBH-AV32
EHYKOMB-AA*

Required space for service and installation



* In combination with the mounting- and/or valve kit, 800mm is required.

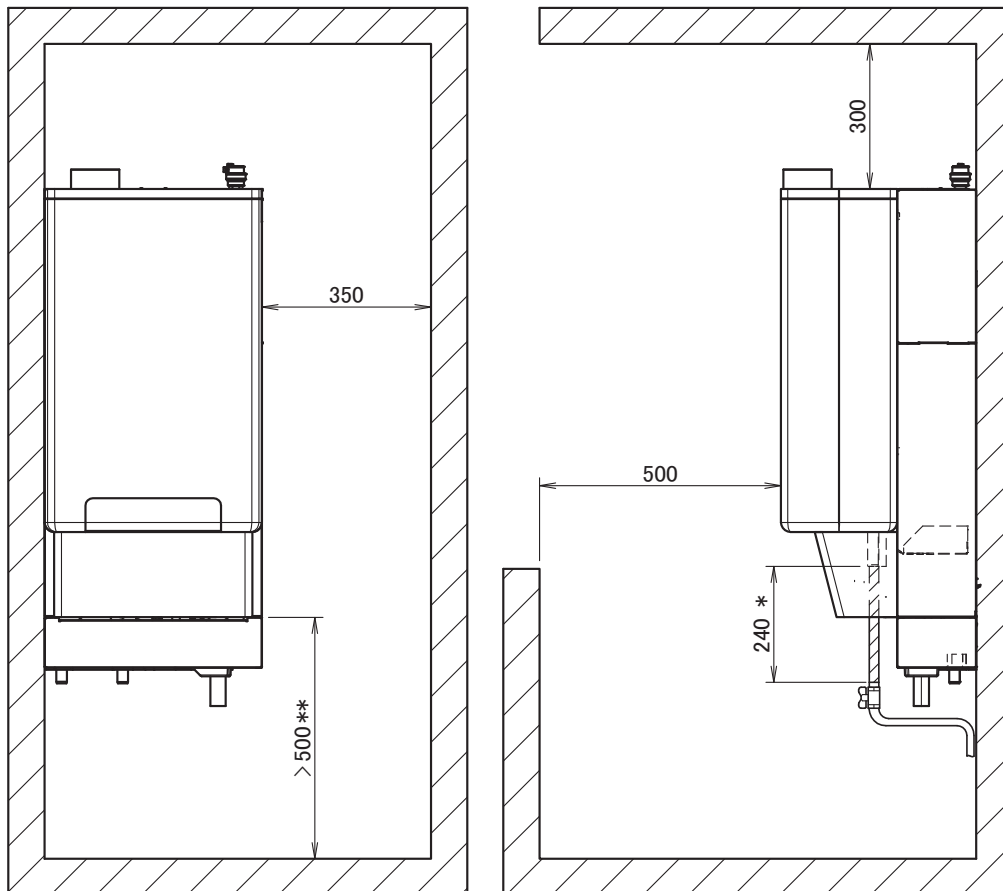
10 Installation

10 - 1 Installation Method

EHYHBX-AV3
EHYKOMB-AA*

10

Required space for service and installation



* To ensure service and installation of the drain pan kit, provide removable piping.

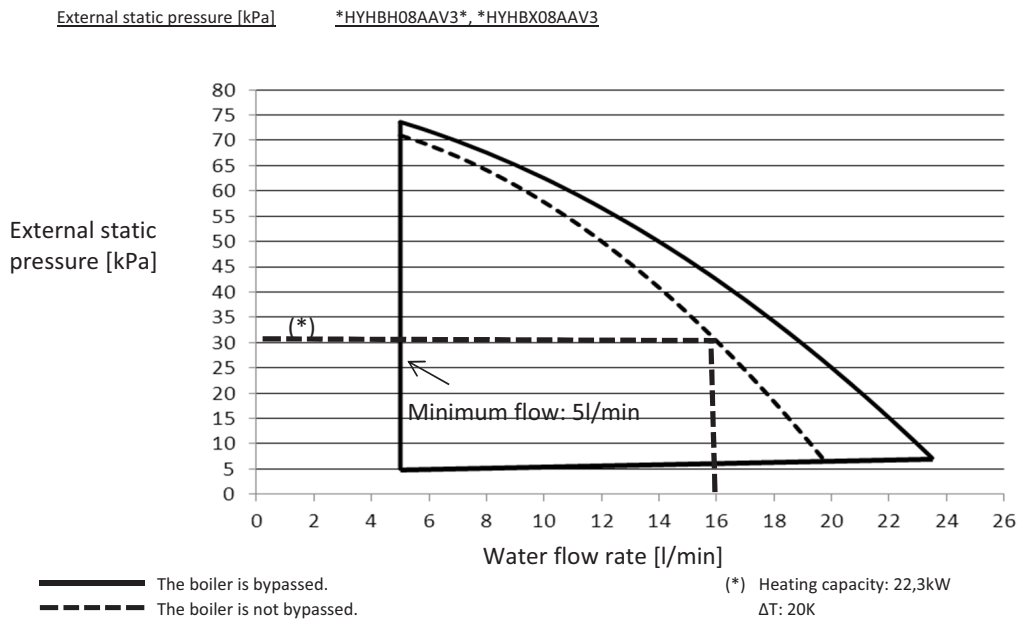
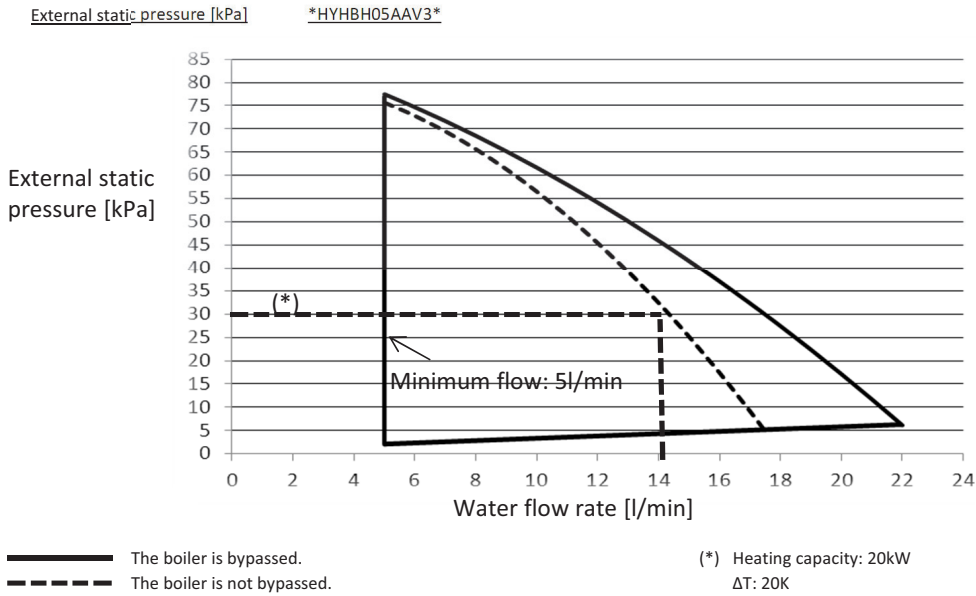
** In combination with the mounting- and/or valve kit, 800mm is required.

4D085926B

11 Hydraulic performance

11 - 1 Static Pressure Drop Unit

EHYHBH(X)-AV3(2)



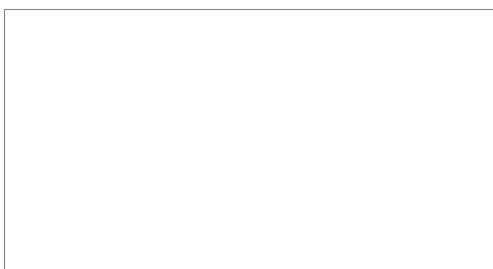
Notes

- (1) Selecting a flow outside the operating area can damage the unit or cause the unit to malfunction. See also the minimum and maximum allowed water flow range in the technical specifications.
- (2) Water quality must be according to EU directive 98/83 EC.

4D082239B



Daikin Europe N.V. Naamloze Vennootschap - Zandvoordestraat 300, B-8400 Oostende - Belgium - www.daikin.eu - BE 0412 120 336 - RPR Oostende



EEDEN XXX-05/16



The present leaflet is drawn up by way of information only and does not constitute an offer binding upon Daikin Europe N.V.. Daikin Europe N.V. has compiled the content of this leaflet to the best of its knowledge. No express or implied warranty is given for the completeness, accuracy, reliability or fitness for particular purpose of its content and the products and services presented therein. Specifications are subject to change without prior notice. Daikin Europe N.V. explicitly rejects any liability for any direct or indirect damage, in the broadest sense, arising from or related to the use and/or interpretation of this leaflet. All content is copyrighted by Daikin Europe N.V.