

Heating
Technical Data

EKHH2E-PAV3



> EKHH2E260PAV3

TABLE OF CONTENTS

EKHH2E-PAV3

1	Features	2
2	Specifications	3
	Technical Specifications	3
	Electrical Specifications	4
3	Dimensional drawings	5
4	Wiring diagrams	6
	Wiring Diagrams - Single Phase	6
5	Operation range	7

1 Features

Enhanced hot water comfort

- Quiet operation: with 53 dBA, one of the most silent products in its kind
- Easy handling: thanks to its compact size, it can easily pass through the doorway
- Enhanced comfort: the 3 operating modes will give an answer to all your needs
- Solar connectivity: empower your house with renewable energy
- Wide operation range: down to -7 °C outside temperature with the heat pump, below -7 °C electrical heating element support

1



Solar ready

2 Specifications

2-1 Technical Specifications				EKHH2E260PAV3		
Domestic hot water	Output	Nom	kW	1.8		
Domestic hot water heating	General	Declared load profile		XL		
		Water heating energy efficiency class		A+		
		Thermostat temperature setting	°C	55		
	Average climate	AEC (Annual electricity consumption)	kWh	1,323		
		η _{wh} (water heating efficiency)	%	127		
	Cold climate	AEC (Annual electricity consumption)	kWh	1,826		
		η _{wh} (water heating efficiency)	%	92		
	Warm climate	AEC (Annual electricity consumption)	kWh	1,296		
		η _{wh} (water heating efficiency)	%	129		
	Heat up time	Max.	hh:mm	10:14:00 / (1) / 07:46:46 / See note 2		
COP			3.10 (1) / 3.60 (2)			
Dimensions	Unit	Diameter	mm	650		
Weight	Unit	Empty	kg	112		
		Full	kg	358		
	Packed unit		kg	140		
Heat pump	Casing	Colour		White body / grey top		
		Material		Cover: EPP top finishing		
	Defrost method			Active with hot gas valve		
	Automatic defrost start		°C	-2		
	System pressure	Max.	bar	7		
	Operation range	Ambient	Min.	°CDB	-7	
			Max.	°CDB	38	
Tank	Integrated heating element power	Nom.	kW	1.5		
	Casing	Colour		White		
		Material		Embossed ABS		
	Dimensions	Unit	Height	mm	1,500	
	Operation range	Water side	Min.	°C	10	
			Max.	°C	56	
	Installation	Solar thermal connection possible		Yes		
	Standing heat loss		W	71		
Compressor	Type	Rotary non-inverter				
Refrigerant	Type	R-134a				
	GWP	1,430.0				
	Charge	TCO ₂ eq		1.287		
kg		0.900				
Sound power level	Domestic hot water heating	Indoor unit	dBA	53 (3)		
Installation place			Indoor			
IP class			IP-X4			
General	Product description	Air-to-water heat pump				
	Supplier/Manufacturer details	Name and address				
		IMAT - Via Pietro Zorutti 13/14, 33074 Fontanafredda ITALY				
Equivalent hot water	Max	l	342			

2 Specifications

2-2 Electrical Specifications			EKHH2E260PAV3	
Heat pump	Power supply	Phase		1P
		Frequency	Hz	50
		Voltage	V	230
		Maximum running current	A	2.4
Tank	Power supply	Phase		1P
		Frequency	Hz	50
		Voltage	V	230

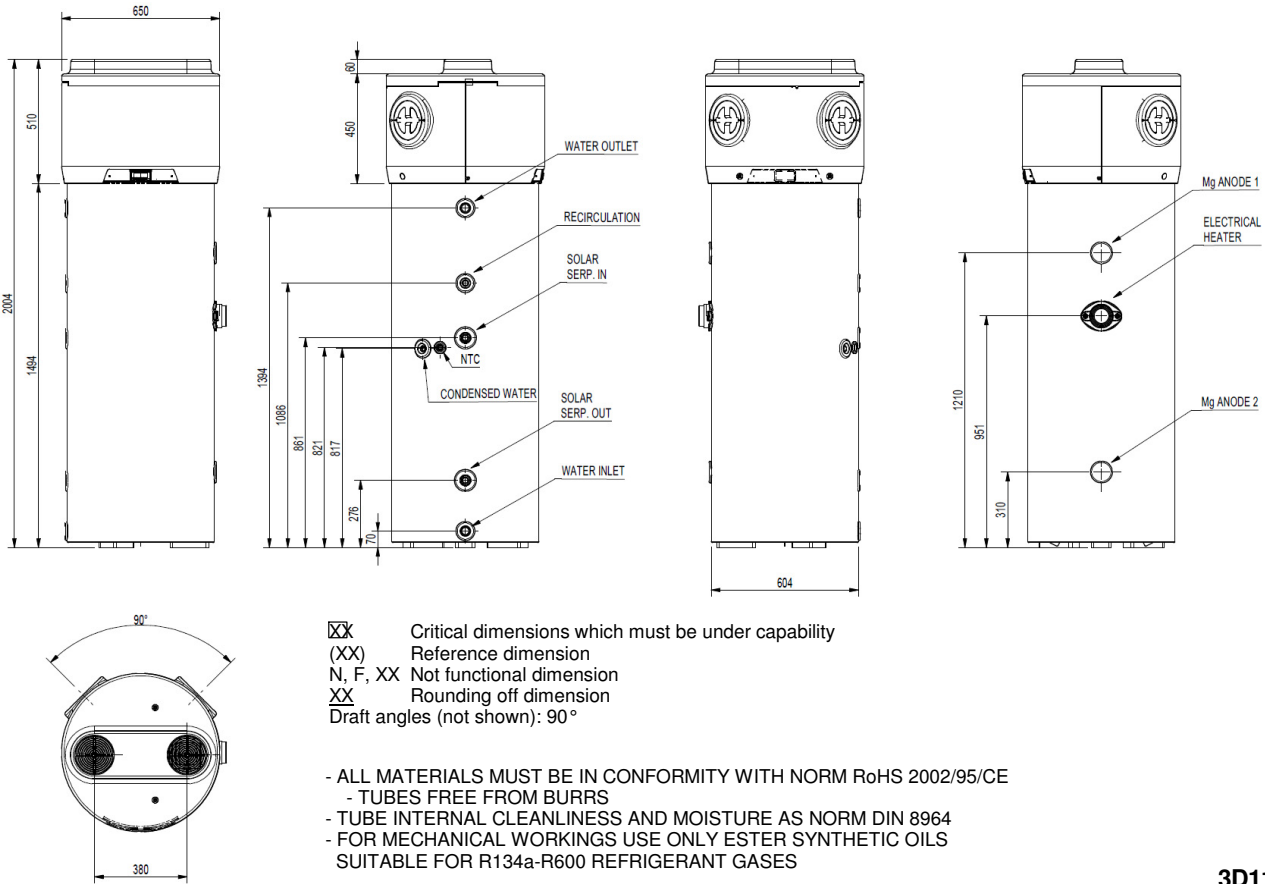
Notes

- (1) Test at Ta DB/WB 7°C/6°C. According to EN 16147.
- (2) Test at Ta DB/WB 15°C/12°C. According to EN 16147.
- (3) For service please refer to Service Manual.

3 Dimensional drawings

3 - 1 Dimensional Drawings

EKHH2E260AV3
EKHH2E260PAV3

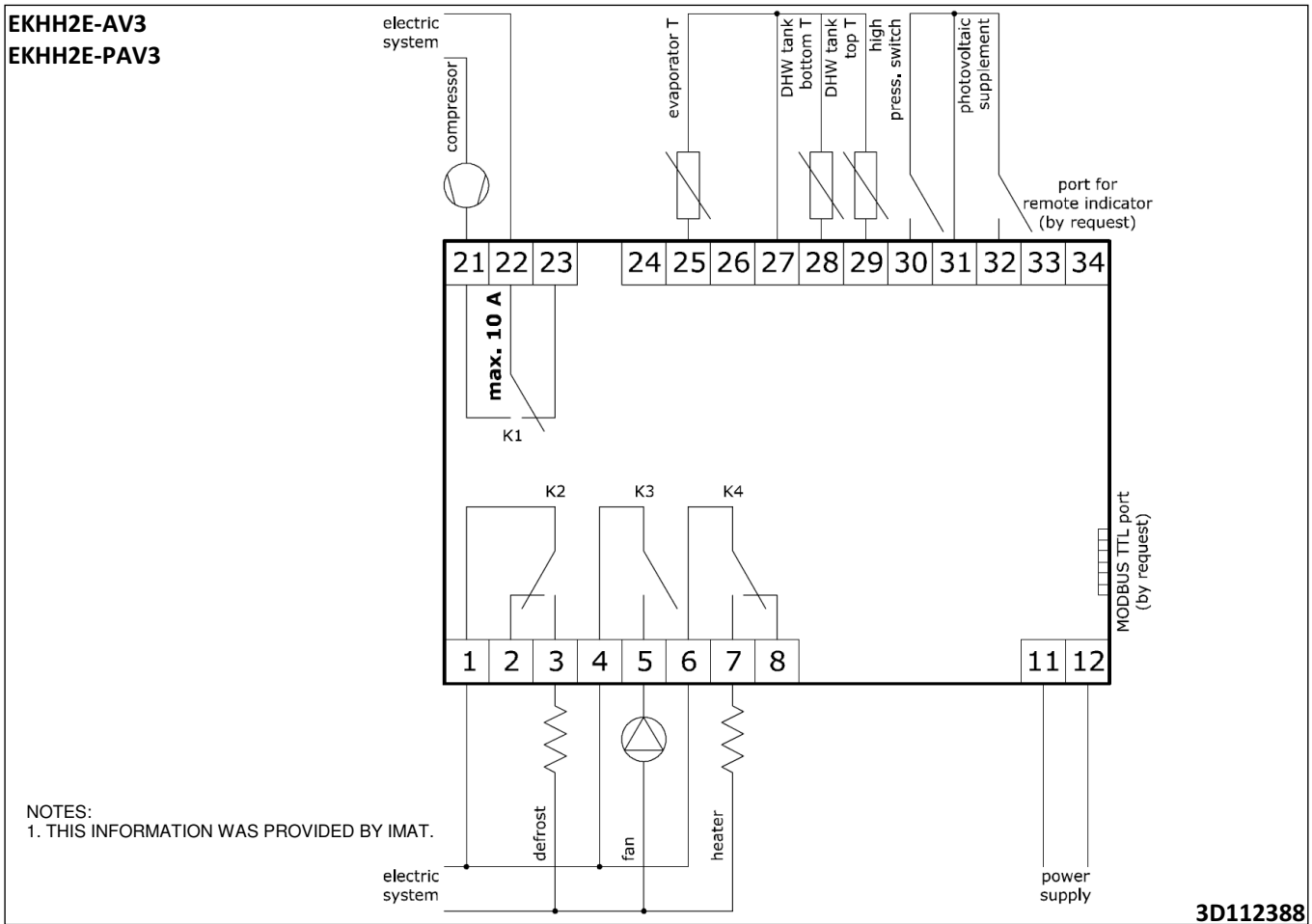


3D112386

4 Wiring diagrams

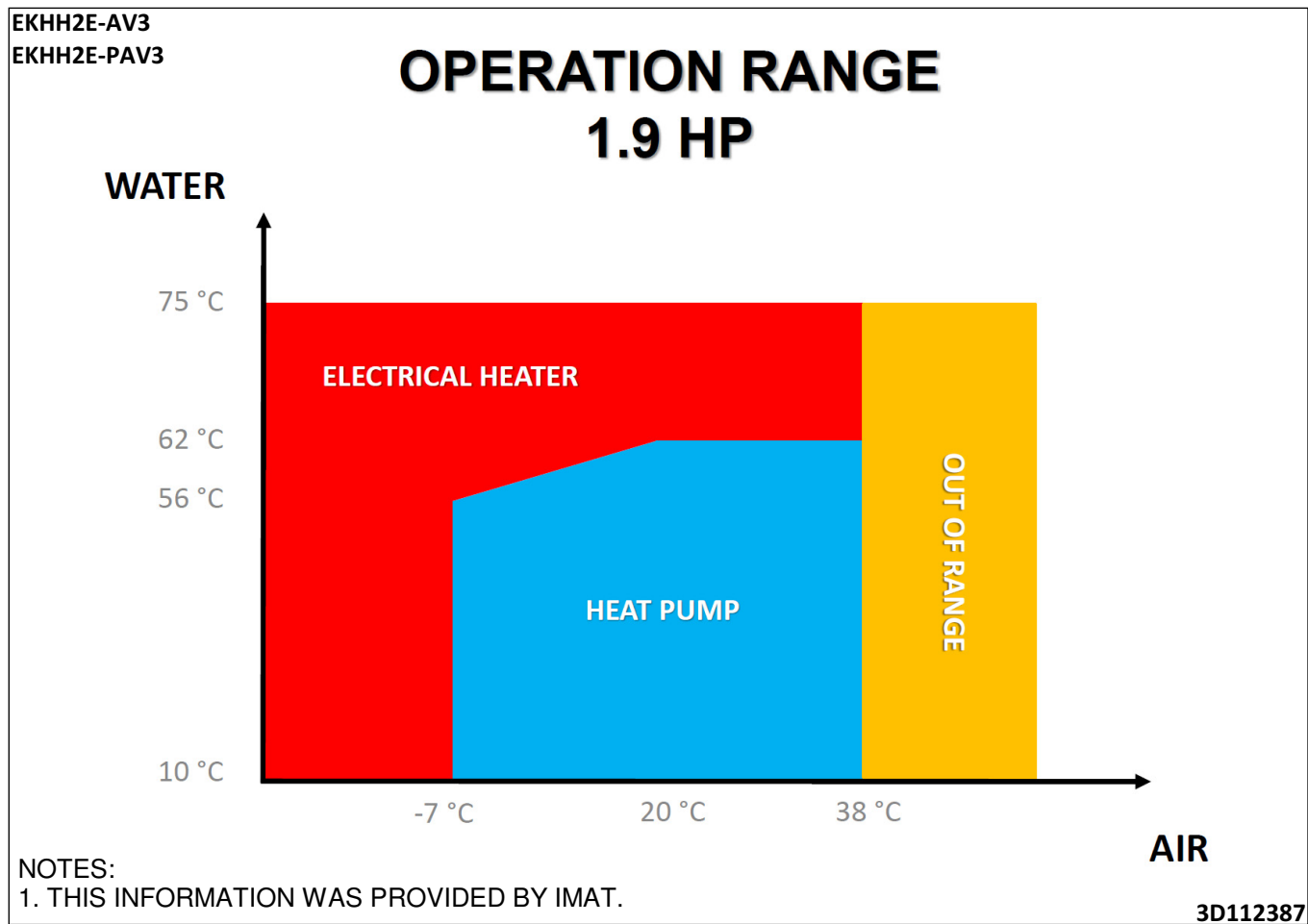
4 - 1 Wiring Diagrams - Single Phase

4



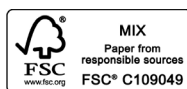
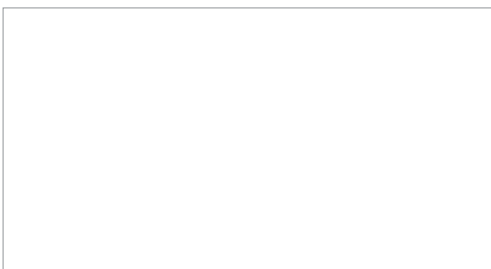
5 Operation range

5 - 1 Operation Range





Daikin Europe N.V. Naamloze Vennootschap - Zandvoordestraat 300, B-8400 Oostende - Belgium - www.daikin.eu - BE 0412 120 336 - RPR Oostende



EEDEN18 10/17



The present leaflet is drawn up by way of information only and does not constitute an offer binding upon Daikin Europe N.V.. Daikin Europe N.V. has compiled the content of this leaflet to the best of its knowledge. No express or implied warranty is given for the completeness, accuracy, reliability or fitness for particular purpose of its content and the products and services presented therein. Specifications are subject to change without prior notice. Daikin Europe N.V. explicitly rejects any liability for any direct or indirect damage, in the broadest sense, arising from or related to the use and/or interpretation of this leaflet. All content is copyrighted by Daikin Europe N.V.